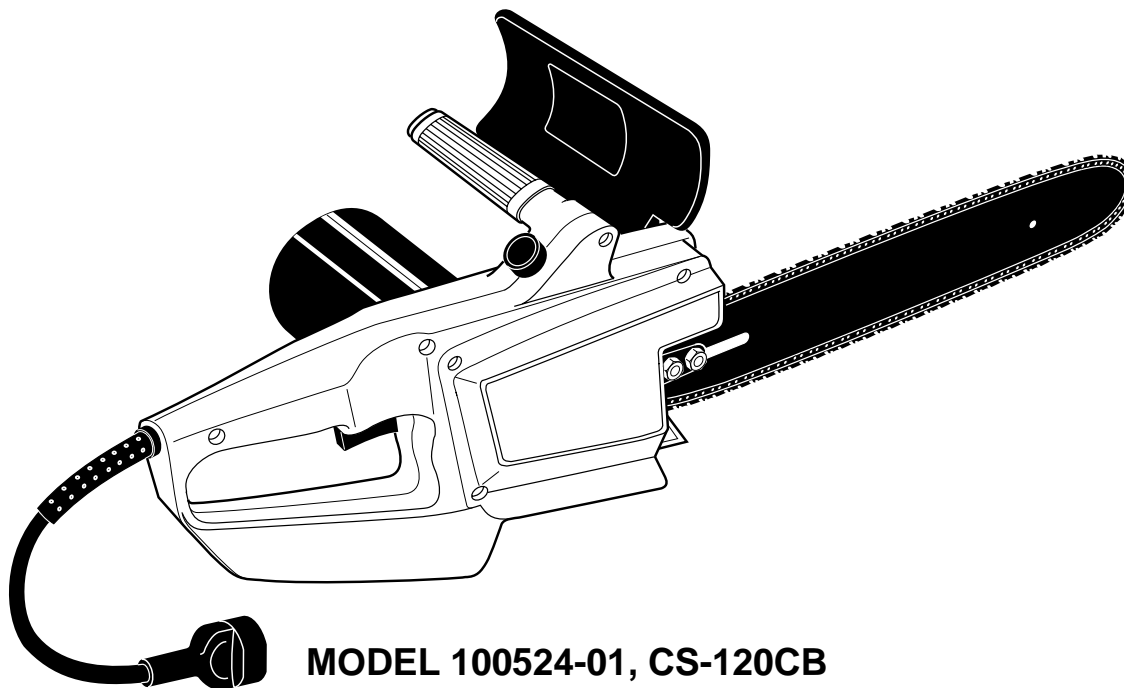


MASTERCRAFT

PREMIUM ELECTRIC CHAIN SAW

OWNER'S MANUAL



MODEL 100524-01, CS-120CB
CHAIN BRAKE

IMPORTANT

Read and understand this manual before assembling or operating this chain saw. Improper use of saw can cause severe injury. Keep this manual for future reference.

CONTENTS

SECTION	PAGE	SECTION	PAGE
Symbol Information	2	Chain Brake	6
Safety Warnings	3	Trimming a Tree	7
Before Operating Chain Saw	3	Felling a Tree	7
Kickback	3	Limbing a Tree	8
Pushback and Pull-in	4	Bucking a Log	9
Chain Saw Operation	4	Saw Chain Tension Adjustment	10
Maintenance and Storage of Chain Saw	4	Replacing Guide Bar / Saw Chain	11
Product Identification	5	Cleaning and Maintenance	12
Chain Saw Names and Terms	5	Cleaning Saw Body	12
Unpacking	5	Care of Guide Bar	12
Filling Oil Tank	5	Sharpening Your Saw Chain	12
Operating Chain Saw	6	Storage	14
Extension Cords	6	Replacement Parts	14
Oiling Chain	6	Troubleshooting	15
Cutting With the Chain Saw	6	Warranty Information	Back Cover

CSA Classification for this saw is 2C; The consumer chain saw intended for general use by home owners, cottagers, etc., and for such general applications as clearing, pruning, cutting firewood, etc.

INFORMATION

Read Instruction Manual

Do Not Expose to Rain or Use in Wet Conditions

Remove Plug Immediately if Cable is Damaged or Cut

Hold Chain Saw with Both Hands

Beware of Kickback

Hearing and Eye Protection Must Be Worn

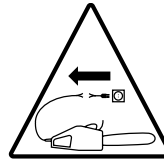
Safety Information Warnings Appears Throughout This Manual

Pay close attention to them. Below are definitions for the safety information listed throughout this manual.

WARNING indicates a hazard which can cause severe personal injury, death, or substantial property damage if you ignore warning.

CAUTION indicates a hazard which will or can cause minor personal injury or property damage if you ignore warning.

SYMBOLS



SAFETY WARNINGS

Read and understand all Safety Warnings on pages 3 and 4. Improper use of this chain saw can cause severe injury or death from fire, electrical shock, body contact with moving chain, or falling wood.

BEFORE OPERATING CHAIN SAW

1. Read and understand this owner's manual before operating chain saw.
2. Use chain saw for cutting wood only. Do not use for cutting any non-wood items.
3. Only well-instructed adults should operate chain saw. Never allow children to operate chain saw. First-time user should obtain informed, practical instruction in addition to reading this manual. Practice cutting logs on a saw horse or cradle.
4. Use only electrical voltage noted on model plate of chain saw.
5. Use only extension cords marked for outdoor use. See page 8 for extension cord requirements.
6. Do not operate chain saw
 - while under the influence of alcohol, medication, or drugs
 - in rain or in damp or wet areas
 - where highly flammable liquids or gases are present
 - if saw is damaged, adjusted wrong, or not fully assembled
 - if trigger does not turn saw on and off. Chain must stop moving when you release trigger. Have faulty switch replaced by authorized service person.
 - while tired or in a hurry
 - while in tree or on a ladder unless trained to do so
7. Wear snug-fitting clothes when operating chain saw. Do not wear loose clothing or jewelry. They can get caught in moving saw chain.
8. Wear the following safety gear when operating chain saw:
 - heavy-duty gloves (wear rubber gloves if working outdoors)
 - steel-toed safety footwear with non-skid soles
 - eye protection such as safety glasses, goggles, or face screen
 - safety hard hat
 - ear muffers or ear plugs
 - hair covering to contain long hair
 - face or dust mask (if working in dusty areas)
9. Before cutting, always provide the following:
 - clear work area
 - secure footing
 - planned retreat path from falling tree
10. Inspect tree before cutting down. Make sure there are no dead limbs or branches that may fall on you.

KICKBACK

WARNING

Avoid Kickback. Kickback can cause you to lose control of chain saw. Kickback can cause severe injury or death.

Kickback Safety Devices On This Saw

This saw has a low-kickback chain and reduced-kickback guide bar. Both items reduce the chance of kickback. Kickback can still occur with this saw. Do not let tip of guide bar touch anything when chain is moving.

This saw has a chain brake. When kickback occurs, the front hand guard is moved forward by the back of operator's left hand. This stops the saw chain quickly, reducing the chance of serious injury.

Never hold the chain saw by the front hand guard.

Cause Of Kickback

Kickback may occur when nose or tip of guide bar touches an object while chain is moving. If chain cutter catches on object, a sudden reverse action will result. The guide bar will kick up and back towards operator.

Kickback may also occur when wood pinches chain at guide bar nose. A sudden reverse action will also result.

The following steps will reduce the risk of kickback:

- Use both hands to grip saw while saw is running. Use firm grip. Thumbs and fingers must wrap around saw handles.
- Keep all safety items in place on saw. Make sure they work properly.
- Do not overreach or cut above shoulder height.
- Keep solid footing and balance.
- Stand slightly to left side of saw. This keeps your body from being in direct line with chain.
- Do not let guide bar nose touch anything when chain is moving (see Figure 1).

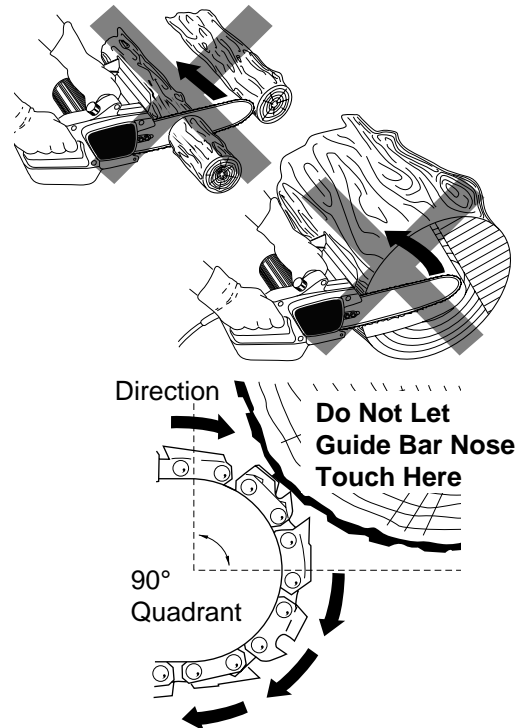


Figure 1 - Kickback Hazard Example. Do Not Let Nose of Guide Bar Touch Object While Chain is Moving

- Never try cutting through two logs at same time. Only cut one log at a time.
- Do not bury guide bar nose or try plunge cut (boring into wood using guide bar nose).
- Watch for shifting of wood or other forces that may pinch chain.
- Use extreme caution when re-entering a previous cut.
- Use low-kickback chain and guide bar supplied with this chain saw. Only replace these parts with chains and guide

SAFETY WARNINGS

Continued

bars listed in this manual.

- Never use dull or loose chain. Keep chain sharp and tensioned correctly.

Saw Maintenance and Kickback Safety

Follow maintenance instructions in this manual. Proper cleaning of saw and chain and guide bar maintenance can reduce chances of kickback. Inspect and maintain saw after each use. This will increase the service life of your saw. *Note:* Even with proper sharpening, risk of kickback can increase with each sharpening.

PUSHBACK AND PULL-IN

WARNING

Avoid pushback and pull-in. These hazards can cause you to lose control of chain saw. Pushback or pull-in can cause severe injury.

Cause Of Pushback and Pull-In

Pushback may occur while cutting with top of guide bar. Pushback will force saw back towards you. Pull-in may occur while cutting with bottom of guide bar. Pull-in will force saw in towards wood you are cutting. These hazards can occur if chain is pinched, caught, or contacts a non-wood object.

The following steps will reduce the risk of pushback or pull-in:

- Use both hands to grip saw while saw is running. Use firm grip. Thumbs and fingers must wrap around saw handles.
- Do not overreach or cut above shoulder height.
- Keep solid footing and balance.
- Stand slightly to left side of saw. This keeps your body from being in direct line with chain.
- Have saw running at full speed before starting a cut.
- When cutting, make sure spike of saw is against wood (pull-in only). See *Product Identification*, page 5, to locate spike.
- Never try cutting through two logs at same time. Only cut one log at a time.
- Watch for shifting of log or other forces that may pinch chain.
- Use extreme caution when re-entering a previous cut.
- Do not twist saw when removing guide bar from undercut.
- Use wedges made of plastic, wood, or light alloy (never steel or iron) to hold cut open.

CHAIN SAW OPERATION

1. Stay alert. Use common sense while operating chain saw.
2. Keep work area clean. Cluttered areas invite injuries.
3. Be aware of extension cord while operating chain saw. Be careful not to trip over cord.
4. Keep children, animals, and bystanders away from chain saw and extension cord. Only chain saw user should be in work area.
5. Do not cut down a tree unless you are trained or have expert help.
6. If two or more persons perform bucking and felling operations at the same time, provide plenty of distance between operations. Provide distance of at least twice the height of tree being felled.

7. Secure wood you are cutting by using clamps or chocks.
8. Grip chain saw firmly with both hands. Never operate chain saw with one hand. Never use hand guard as handle.
9. Keep finger off trigger until ready to make cut.
10. Before starting chain saw, make sure chain is not touching anything.
11. Avoid body contact with grounded objects such as pipes, wire fences, and metal posts.
12. Keep all parts of body away from chain when saw is running.
13. Do not force chain saw while cutting. Apply light pressure.
14. Cut small brush and saplings with extreme care. Slender material may catch in chain and be whipped toward you. This could also pull you off balance.
15. When cutting limb or tree trunk that is under tension, use extreme caution. Be alert for wood springing back. When wood tension is released, limb could spring back and strike operator causing severe injury or death.
16. Do not activate the chain brake to stop saw. Always release trigger to stop saw.
17. Carry chain saw from one place to another
 - with chain saw unplugged
 - by holding front handle (never use front hand guard as handle)
 - with finger off trigger
 - with guide bar and chain to rear
 - with scabbard in place

MAINTENANCE AND STORAGE OF CHAIN SAW

1. Unplug chain saw from power source
 - when not in use
 - before moving from one place to another
 - before servicing
 - before changing accessories or attachments
2. Inspect chain saw before and after each use. Check saw closely if guard or other part has been damaged. Check for any damage that may affect operator safety or operation of saw. Check for alignment or binding of moving parts. Check that switch turns motor on and off. Check chain brake. Check for broken or damaged parts. Do not use chain saw if damage affects safety or operation. Have damage repaired by authorized service person.
3. Maintain chain saw with care.
 - Never expose saw to rain.
 - Keep chain sharp, clean, and lubricated.
 - Follow steps outlined in this manual to sharpen chain.
 - Keep handles dry, clean, and free of oil.
 - Keep all screws and nuts tight.
 - Inspect power cord often. If damaged, have repaired by authorized service person.
 - Never carry chain saw by power cord.
 - Never yank power cord to unplug it.
 - Keep power cord from heat, oil, and sharp edges.
 - Inspect extension cords often and replace if damaged.
4. When servicing, use only identical replacement parts.
5. Always store chain saw
 - in a high or locked place, out of children's reach
 - in a dry place
 - in a carrying case or with scabbard over guide bar

Keep this manual for reference. It is your guide to safe and proper operation of this chain saw.

PRODUCT IDENTIFICATION

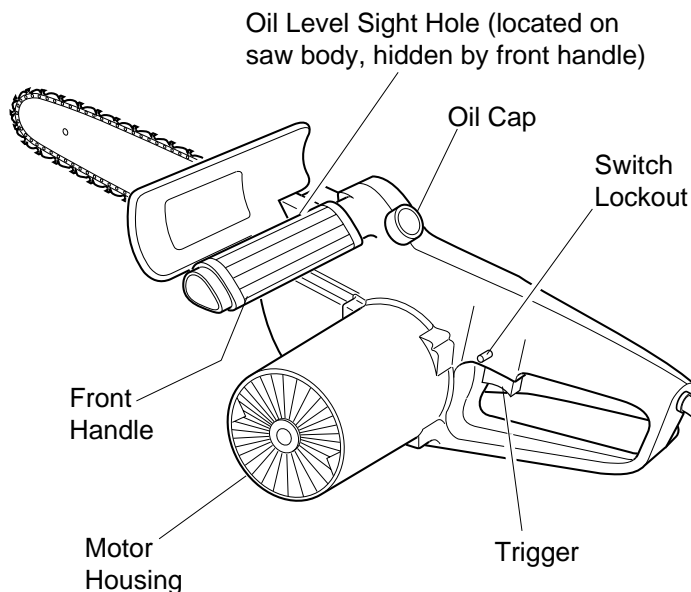
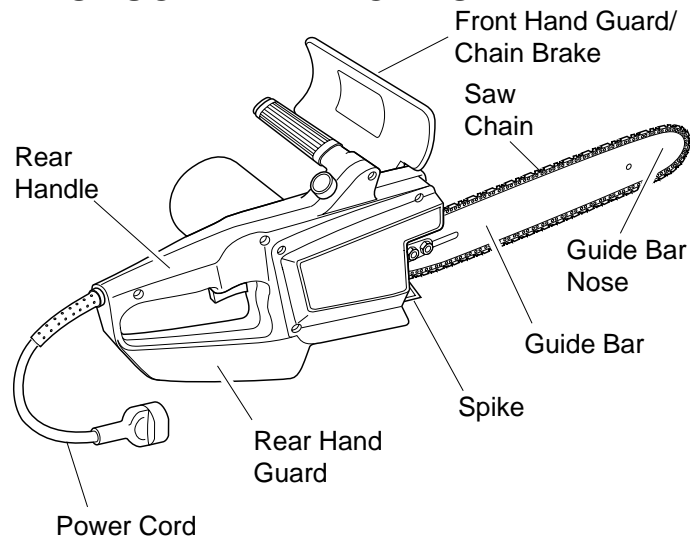


Figure 2 - Electric Chain Saw

CHAIN SAW NAMES AND TERMS

Bucking Process of cutting a felled tree or log into lengths.

Felling Process of cutting down a tree.

Felling Cut Final cut when felling a tree. Make this cut on opposite side of tree from notching cut.

Front Hand Guard Shield between front handle and guide bar. Protects left hand while using saw. When kickback occurs, the front hand guard is moved forward by the back of operator's left hand. This stops the saw chain quickly, reducing the chance of serious injury.

Front Handle Located at front of saw body.

Guide Bar Metal bar that extends from saw body. The guide bar supports and guides chain.

Guide Bar Nose Tip or end of guide bar.

Kickback Quick backward and upward motion of guide bar. Kickback may occur when tip of guide bar touches an object while chain is moving. The guide bar will kick up and back towards operator.

100549

Limbing Process of cutting limb(s) from a felled tree.

Low-Kickback Chain Chain that reduces chance of kickback as required by CSA Standard Z62.3.

Normal Cutting Position Stance used while making bucking and felling cuts.

Notching Cut Notch cut in tree that directs fall of tree.

Oiler Control System for oiling guide bar and chain.

Power Head Chain saw without chain and guide bar. Also known as saw body.

Pushback (Kickback, Pinch) Rapid pushback of chain saw. Pushback may occur if chain along top of guide bar is pinched, caught, or contacts a foreign object.

Rear Handle Handle located at rear of saw body.

Reduced Kickback Guide Bar Guide bar that reduces chance of kickback.

Replacement Chain Chain that complies with CSA Standard Z62.3 when used with a specific saw. It may not meet CSA requirements when used with other saws.

Saw Chain (Chain) Loop of chain having cutting teeth for cutting wood. The motor drives chain. The guide bar supports chain.

Spiked Bumper (Spike) Pointed teeth at front of saw body beside guide bar. Keep spiked bumper in contact with wood when felling or bucking. It helps maintain position of saw while cutting.

Sprocket Toothed wheel that drives chain.

Switch Device that completes or interrupts electrical circuit to motor of saw.

Switch Linkage This device connects switch to trigger. It moves switch when you squeeze trigger.

Switch Lockout Device that reduces accidental starting of saw.

Trigger Device that turns saw on and off. Squeezing trigger turns saw on. Releasing trigger turns saw off.

Trimming (Pruning) Process of cutting limb(s) from a living tree.

Undercut An upward cut from underside of log or limb. This is done while in normal cutting position and cutting with top of guide bar.

UNPACKING

1. Remove all items from carton.
2. Check all items for any shipping damage. If you find any damage or if any parts are missing, promptly inform dealer where you bought chain saw.

FILLING OIL TANK

1. Remove oil cap.
2. Fill oil tank with SAE #30 motor oil. **Note:** For temperatures below -1°C, use SAE #10 oil. For temperatures above 24°C, use SAE #40 oil.
3. Replace oil cap at once. Tighten oil cap firmly for good seal. This will avoid oil seepage from tank.
4. Wipe off excess oil.

Note: It is normal for oil to seep when saw is not in use. Empty oil tank, tighten oil cap, and store upside down after each use to prevent seepage.

OPERATING CHAIN SAW

WARNING

Read and understand this owner's manual before operating this saw. Make certain you read and understand all Safety Warnings. Improper use of this chain saw can cause severe injury or death from fire, electrical shock, or body contact with moving chain, or falling wood.

EXTENSION CORDS

Use proper extension cord with this chain saw. Use only extension cords marked for outdoor use. Use an extension cord no less than 1.5 mm² (14SWG) at distances up to 30 meters (100 feet). The cord must be marked with suffix W-A following the cord type marking. *Example: SJTW-A*

Use an extension cord heavy enough to carry the current your saw will draw. An undersized cord will cause a voltage drop at the saw, loss of power, and overheating.

Keep cord away from cutting area. Make sure cord does not catch on branches or logs during cutting. Inspect cords often. Replace damaged cords.

The extension cord may come undone from the power cord during use. To avoid this, make a knot with the two cords as shown in Figure 3 below.

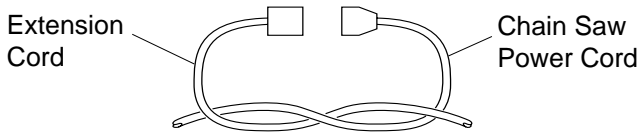


Figure 3 - Tying Extension Cord and Power Cord in Knot

OILING CHAIN

Always check oil level before using saw. To oil chain, press oil cap. Oil will feed onto guide bar and chain. Press oil cap at least once before each cut. Check oil level often by looking at oil sight level hole. Oil sight level hole is on left side of saw, between front handle and front hand guard.

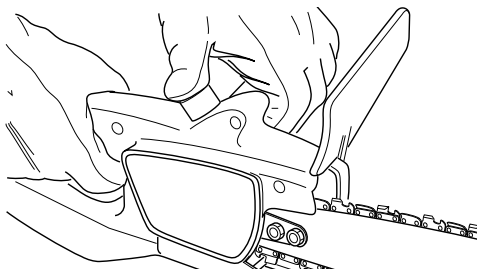


Figure 4 - Pressing Oil Cap to Oil Chain

CUTTING WITH THE CHAIN SAW

1. Connect saw to extension cord. Connect extension cord to power supply.
2. Make sure section of log to be cut is not laying on ground. This will keep chain from touching ground as it cuts through log. Touching ground with moving chain will dull chain.
3. Use both hands to grip saw. Always use left hand to grip front handle and right hand to grip rear handle. Use firm grip. Thumbs and fingers must wrap around saw handles (see Figure 5).

4. Make sure your footing is firm. Keep feet apart. Divide your weight evenly on both feet. Stand slightly to left side of saw. This keeps your body from being in direct line with chain.
5. When ready to make a cut, press in switch lockout with right thumb and squeeze trigger (see Figure 5). This will turn saw on. Releasing trigger will turn saw off. Make sure saw is running at full speed before starting a cut.

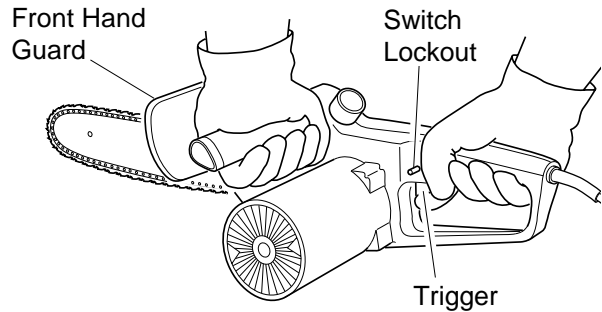


Figure 5 - Front Hand Guard, Switch Lockout, and Trigger Location

6. When starting a cut, place moving chain against wood. Hold saw firmly in place to avoid possible bouncing or skating (sideways movement) of saw.
7. Guide saw using light pressure. Do not force saw. The motor will overload and can burn out.
8. Remove saw from a cut with saw running at full speed. Stop saw by releasing trigger. Do not use the chain brake. Make sure chain has stopped before setting saw down.
9. Practice until you can maintain a steady, even cutting rate.

CHAIN BRAKE

The chain brake quickly stops the saw chain. Kickback causes the back of operator's left hand to contact front hand guard (see Figure 6). When front hand guard moves forward, the saw chain stops. This reduces the chance of serious injury during kickback. When the chain brake activates, release trigger at once.

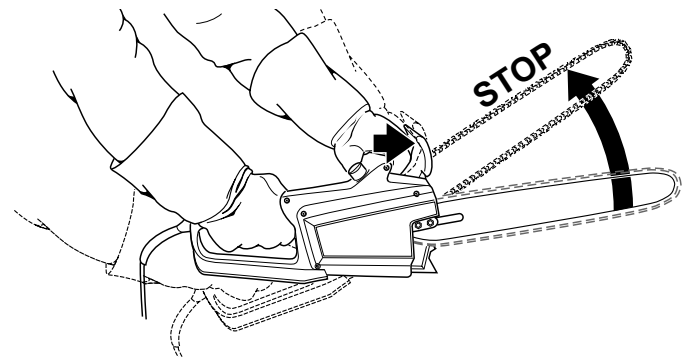


Figure 6 - The chain brake quickly stopping the saw chain

To reset chain brake, release trigger and move front hand guard back into position. You must release trigger first. If not, the saw will start when you reset the front hand guard.

Note: Test chain brake before each use. Firmly grip saw with both hands. With saw running, move front hand guard forward with back of left hand. Keep both hands on the handles. Saw chain should stop. If chain brake does not work, have saw repaired by authorized service person.

OPERATING CHAIN SAW

Continued

TRIMMING A TREE (Pruning)

⚠ WARNING

Avoid kickback. Kickback can result in severe injury or death. See *Kickback*, page 3 to avoid risk of kickback.

⚠ WARNING

Do not operate chain saw while

- in a tree
- on a ladder or any other unstable surface
- in any awkward position

You may lose control of saw causing severe injury.

⚠ WARNING

Do not cut limbs higher than your shoulders.

Trimming a tree is the process of cutting limbs from a living tree. Make sure your footing is firm. Keep feet apart. Divide your weight evenly on both feet. Follow directions below to trim a tree.

1. Make first cut 15 centimeters (six inches) from tree trunk on underside of limb. Use top of guide bar to make this cut. Cut 1/3 through diameter of limb (see Figure 7).
2. Move five to ten centimeters (two to four inches) farther out on limb. Make second cut from above limb. Continue cut until you cut limb off.
3. Make third cut as close to tree trunk as possible on underside of limb stub. Use top of guide bar to make this cut. Cut 1/3 through diameter of stub.
4. Make fourth cut directly above third cut. Cut down to meet third cut. This will remove limb stub.

⚠ CAUTION

Seek professional help if facing conditions beyond your ability.

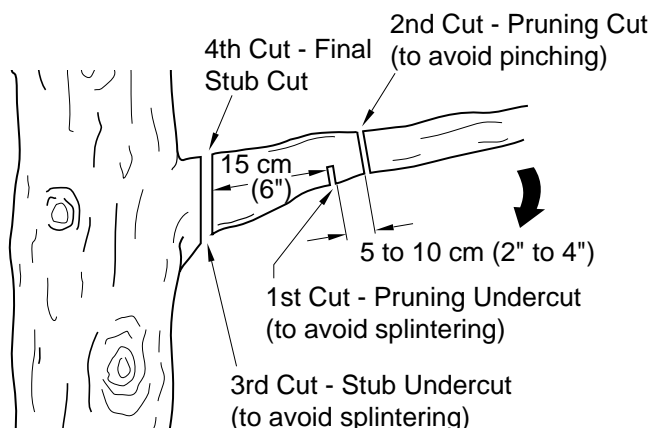


Figure 7 - Cutting A Limb

FELLING A TREE (Cutting Down a Tree)

⚠ WARNING

- Avoid kickback. Kickback can result in severe injury or death. See *Kickback*, page 3 to avoid risk of kickback.
- Do not fell a tree without ample skill or expert help.
- Keep children, animals, and bystanders away from area when felling a tree.
- If two or more persons perform bucking and felling operations at the same time, provide ample distance between operations. Provide distance of at least twice the height of tree being felled.

⚠ WARNING

When felling a tree, be aware of your surroundings. Do not endanger any person, strike utility lines, or cause property damage. If tree strikes utility lines, contact utility company at once.

⚠ CAUTION

Seek professional help if facing conditions beyond your ability.

Felling is the process of cutting down a tree. Make sure your footing is firm. Keep feet apart. Divide your weight evenly on both feet. Follow directions below to fell a tree.

Before Felling a Tree

1. Before felling, inspect tree. Make sure there are no dead limbs or branches that may fall on you. Study natural lean of tree, location of larger branches, and wind direction. This will help you judge which way tree will fall.
2. Clear work area around tree.
3. Plan and clear a retreat path before felling. Make retreat path opposite to planned direction of fall of tree and at 45° angle (see Figure 8).

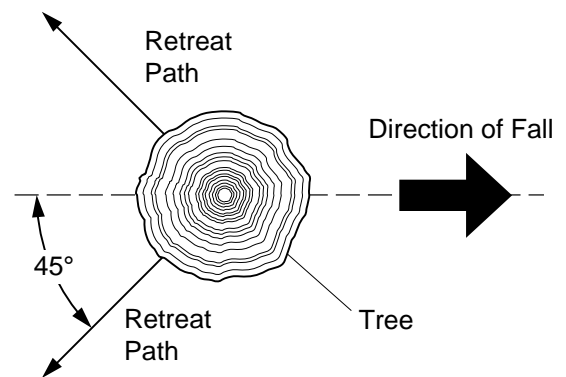


Figure 8 - Retreat Path From Tree

4. Remove dirt, stones, loose bark, nails, staples, and wire from tree where you will make felling cuts.
5. Stay on uphill side when felling tree. Tree could roll or slide downhill after falling.

Continued

OPERATING CHAIN SAW

Continued

Felling Procedure

Felling Notch

A properly placed felling notch will determine direction tree will fall. Place felling notch on side of tree in direction you want tree to fall (see Figure 9). Follow directions below to create a felling notch.

1. Make lower notch cut as close to ground as possible. Hold saw so guide bar is horizontal. Cut 1/3 the diameter of tree trunk (see Figure 9). **Note:** Always make this horizontal lower notch cut first. If you make this cut second, tree can pinch chain or guide bar.

2. Start upper notch cut the same distance above first cut as first cut is deep.

Example: If lower notch cut is 20 centimeters deep (eight inches), start upper notch cut 20 centimeters (eight inches) above it. Cut downward at 45° angle. The upper notch cut should meet end of lower notch cut (see Figure 9).

3. Remove tree trunk wedge created by notching cuts.

Felling Cut

1. Make felling cut five centimeters (two inches) higher than lower notch cut and on opposite side of tree (see Figure 9). Keep felling cut parallel to lower notch cut.

2. Cut towards notch.

WARNING

Do not cut all the way through tree. Leave about five centimeters (two inches) of tree diameter uncut directly behind felling notch (see Figure 9). This uncut portion acts as a hinge. The hinge helps keep tree from twisting and falling in wrong direction.

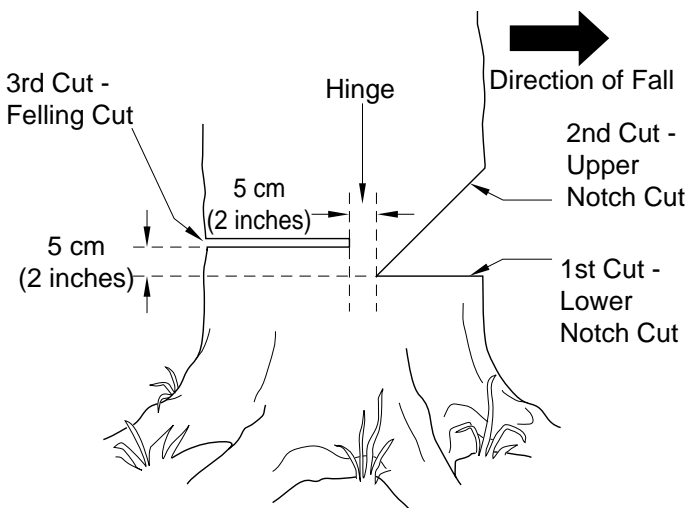


Figure 9 - Felling A Tree

3. As felling cut nears hinge, tree should begin to fall. **Note:** If needed, drive wedges into felling cut to control direction of fall. If tree settles back and pinches chain, drive wedges into felling cut to remove saw. Only use wedges made of wood, plastic, or aluminum. Never use wedge made of steel. This could cause kickback and damage to chain.

- When tree begins to fall, quickly
 - remove saw from felling cut
 - release trigger to turn saw off
 - put saw down
 - exit area using retreat path

WARNING

Be alert for falling overhead limbs. Watch your footing while exiting area.

LIMBING A TREE

WARNING

Avoid kickback. Kickback can result in severe injury or death. See *Kickback*, page 3 to avoid risk of kickback.

WARNING

When cutting limb that is under tension, use extreme caution. Be alert for wood springing back. When wood tension is released, limb could spring back and strike operator causing severe injury or death.

CAUTION

Seek professional help if facing conditions beyond your ability.

Limbing is removing branches from a fallen tree. Make sure your footing is firm. Keep feet apart. Divide your weight evenly on both feet. Do not remove larger limbs under tree that support log off ground. Remove each limb with one cut (see Figure 10). Clear cut limbs from work area often. This will help maintain a safe work area.

Make sure you start your cut where limb will not pinch saw during cutting. To avoid pinching, start cut on freely hanging limbs from above limb. Start cut on limbs under tension from under limb. If pinch occurs, turn saw off, lift limb, and remove saw.

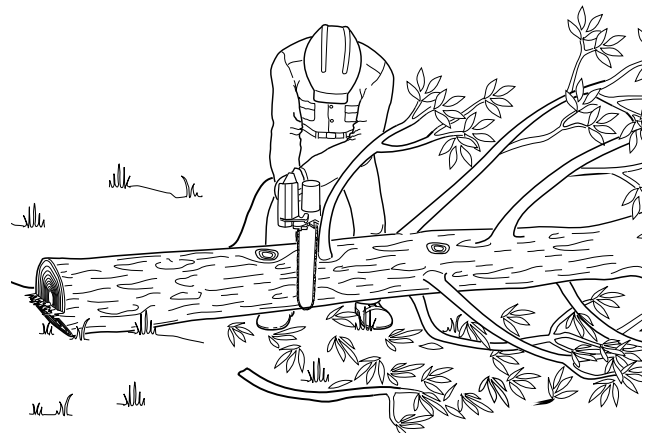


Figure 10 - Limbing A Tree

OPERATING CHAIN SAW

Continued

BUCKING A LOG

WARNING

Avoid kickback. Kickback can result in severe injury or death. See *Kickback*, page 3 to avoid risk of kickback.

WARNING

- If on slope, make sure log will not roll down hill. Secure log by using wooden stakes. Drive wooden stakes into ground on downhill side of log. Stand on uphill side of log while cutting. Log may roll after cutting.
- Never try cutting through two logs at same time. This could increase the risk of kickback.
- While cutting log, never hold log with your hand, leg, or foot.
- While cutting log, never allow another person to hold log.
- Turn off and unplug saw before moving from one place to another.

CAUTION

Seek professional help if facing conditions beyond your ability.

Bucking a log is cutting a log into sections. Make sure your footing is firm. Keep feet apart. Divide your weight evenly on both feet. Stand slightly to left of saw. This keeps your body from being in direct line with chain. When possible, raise log or section off ground. Do this by using limbs, logs, chocks, etc.

When cutting through log, maintain control by reducing cutting pressure near end of cut. Do not relax your grip on chain saw handles. Do not let moving chain touch ground. Ground will dull moving chain. After cutting through log, release trigger to turn saw off before moving saw.

Follow directions below to buck a log.

Entire Length Of Log On Ground

Cut log from top (see Figure 11).



Figure 11 - Bucking Log With Entire Length On Ground

100549

Log Supported On One End

1. Make first cut on underside of log (see Figure 12). Use top of guide bar to make this cut. Cut 1/3 through diameter of log. This cut will keep section from splintering when cut.
2. Make second cut directly above first cut. Cut down to meet first cut. This cut will keep log from pinching guide bar and chain.

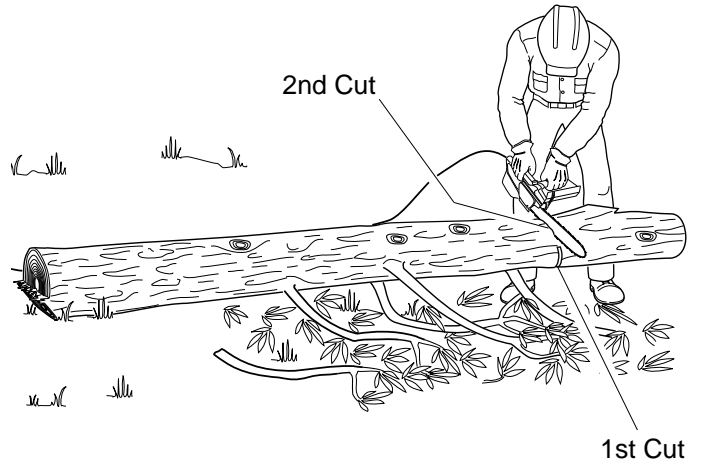


Figure 12 - Bucking Log When Log Is Supported On One End

Log Supported On Both Ends

1. Make first cut from above log (see Figure 13). Cut 1/3 through diameter of log. This cut will keep section from splintering when cut.
2. Make second cut on underside of log, directly under first cut. Use top of guide bar to make this cut. Cut up to meet first cut. This will keep log from pinching guide bar and chain.

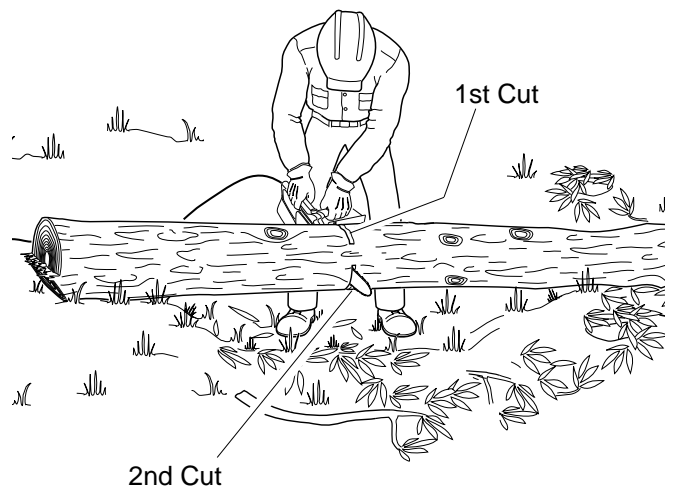


Figure 13 - Bucking Log When Log Is Supported On Both Ends

SAW CHAIN TENSION ADJUSTMENT

WARNING

Unplug chain saw from power source before adjusting saw chain tension.

WARNING

Cutting edges on chain are sharp. Use protective gloves when handling chain.

WARNING

Maintain proper chain tension always. A loose chain will increase the risk of kickback. A loose chain may jump out of guide bar groove. This may injure operator and damage chain. A loose chain will cause chain, guide bar, and sprocket to wear rapidly.

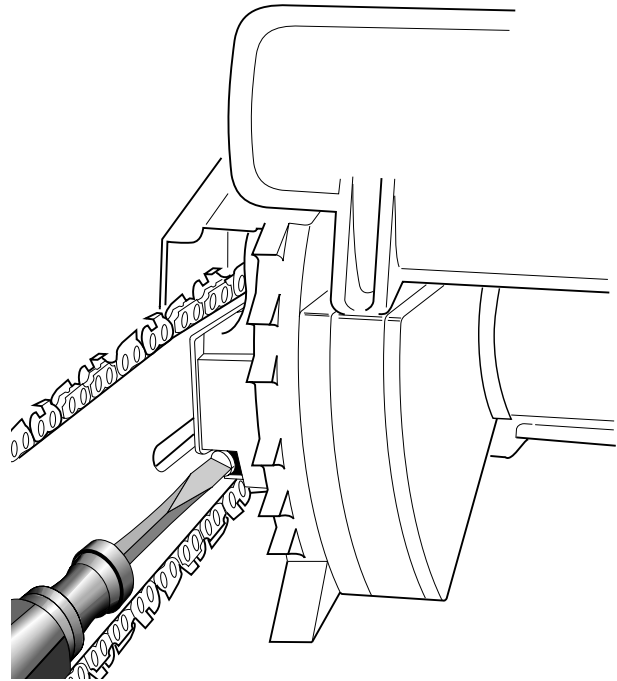


Figure 14 - Turning Adjusting Screw

Note: For pre assembled models, the saw chain tension is properly set at factory. A new chain will stretch. Check new chain after first few minutes of operation. Allow chain to cool down. Follow steps below to readjust saw chain tension.

1. Before adjusting chain, make sure guide bar nuts are only finger tight (see Figure 16, page 11). Also make sure adjusting block is in oval adjusting hole on guide bar (see Figure 16 and 17, page 11).
2. Turn adjusting screw clockwise until all slack is out of chain (see Figure 14).
Note: There should be no gap between side links of chain and bottom of guide bar (see Figure 15)
3. Wearing protective gloves, move chain around guide bar. Chain should move freely. If chain does not move freely, loosen chain by turning adjusting screw counterclockwise.
4. After chain tension is correct, tighten guide bar nuts firmly. If not, guide bar will move and loosen chain tension. This will increase the risk of kickback. This can also damage saw. **Note:** A new chain will stretch. Check new chain after first few minutes of operation. Allow chain to cool down. Readjust chain tension.

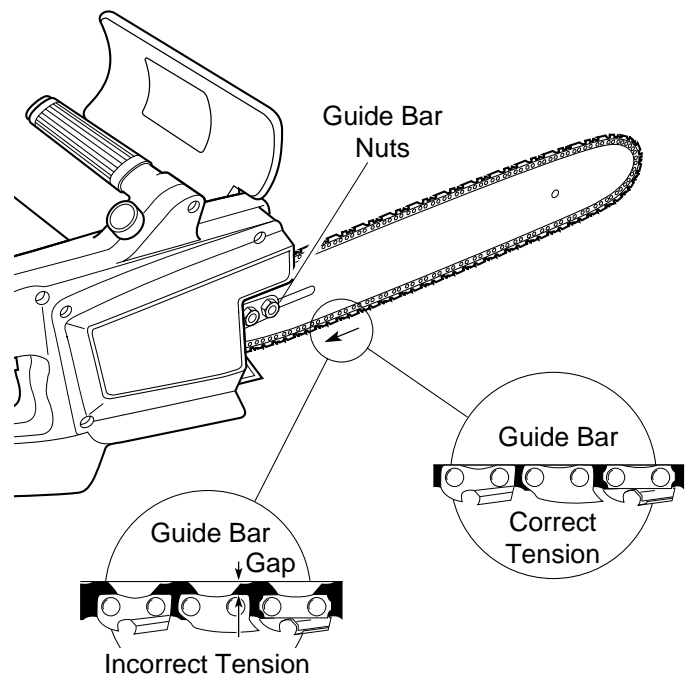


Figure 15- Saw Chain Adjustment

REPLACING GUIDE BAR / SAW CHAIN

1. Lay new saw chain out flat.
2. Remove sprocket cover.
3. Remove guide bar nuts from guide bar bolts (see Figure 16).
4. Turn adjusting screw counterclockwise (see Figure 17). Continue to turn adjusting screw until adjusting block is to rear of adjusting plate.
5. Remove old guide bar/saw chain.
6. Install new guide bar onto saw body. Place rear of guide bar between adjusting plate and sprocket support.
IMPORTANT: Make sure to insert adjusting block into oval adjusting hole on guide bar.
7. Attach guide bar nuts to guide bar bolts.
IMPORTANT: Tighten guide bar nuts finger tight only. Make sure adjusting block is in oval adjusting hole on guide bar.
8. Place chain around drive sprocket, then along top groove of guide bar and around guide bar nose.
Note: Make sure cutting edges of chain are facing the right direction. Position chain so cutting edges on top of guide bar face guide bar nose (see Figure 17).

CAUTION

Do not place chain on saw backwards. If chain is backwards, saw will vibrate badly and will not cut.

9. Adjust saw chain tension. Follow steps under *Saw Chain Tension Adjustment*, page 10.
10. Replace sprocket cover.

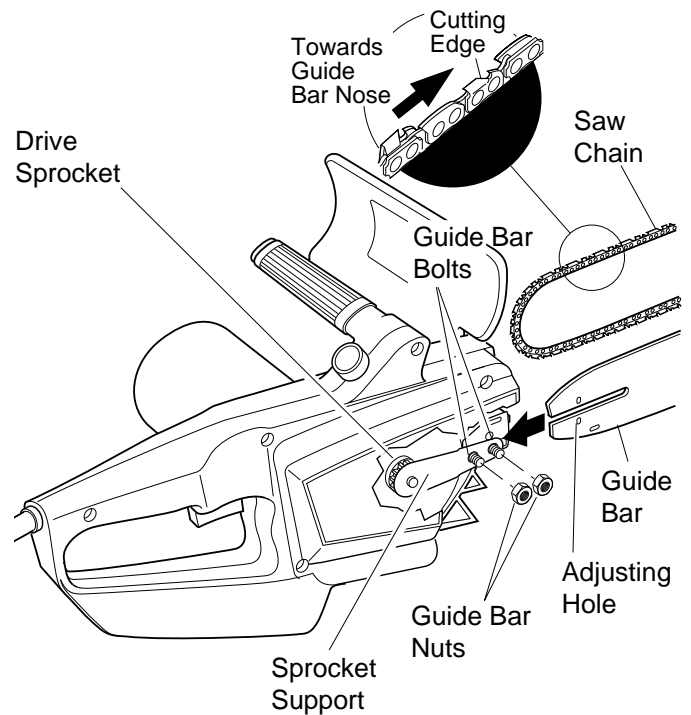


Figure 16 - Assembling Guide Bar, Chain, and Hand Guard

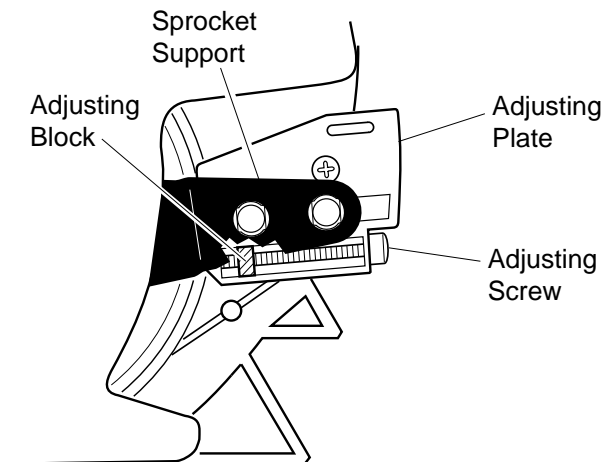


Figure 17 - Part Locations for Assembling Guide Bar

CLEANING AND MAINTENANCE

NOTICE

Below are instructions for servicing your chain saw. Any servicing not mentioned below should be done by an authorized service person.

CLEANING SAW BODY

⚠ WARNING

Unplug chain saw from power source before servicing. Severe injury or death could occur from electrical shock or body contact with moving chain.

⚠ WARNING

Cutting edges on chain are sharp. Use protective gloves when handling chain.

⚠ WARNING

When cleaning saw body,

- do not submerge saw in any liquids
- do not use products that contain ammonia, chlorine, or abrasives
- do not use chlorinated cleaning solvents, carbon tetrachloride, kerosene, or gasoline

Keep saw body clean. Use a soft cloth dampened with a mild soap and water mixture. Wipe saw body to clean.

CARE OF GUIDE BAR

Uneven bar wear causes most guide bar problems. Incorrect sharpening of chain cutter and depth gauge settings often cause this. When bar wears unevenly, it widens guide bar groove (see Figure 18). This causes chain clatter and rivet popping. Saw will not cut straight. Replace guide bar if this occurs.

Inspect guide bar before sharpening chain. A worn or damaged guide bar is unsafe. A worn or damaged guide bar will damage chain. It will also make cutting harder.

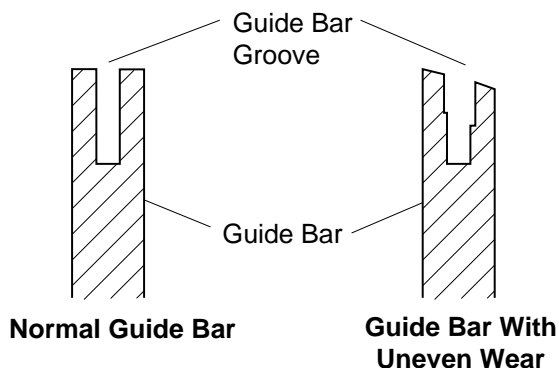


Figure 18 - Guide Bar Cross Section Showing Uneven Bar Wear

Normal Guide Bar Maintenance

1. Remove guide bar from chain saw.
2. Remove sawdust from guide bar groove periodically. Use putty knife or wire.
3. Clean oil slots after each day of use.
4. Remove burrs from sides of guide bar. Use flat file to make side edges square.

Replace guide bar when

- bar is bent or cracked
- inside groove of bar is badly worn

Note: When replacing guide bar, see *Replacement Parts*, page 14 for proper bar.

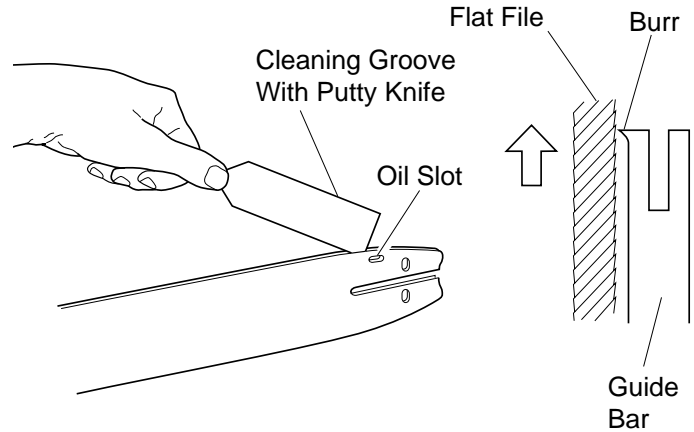


Figure 19 - Guide Bar Maintenance

SHARPENING YOUR SAW CHAIN

⚠ WARNING

Unplug chain saw from power source before servicing. Severe injury or death could occur from electrical shock or body contact with moving chain.

⚠ WARNING

Cutting edges on chain are sharp. Use protective gloves when handling chain.

Keep chain sharp. Your saw will cut faster and more safely. A dull chain will cause undue sprocket, guide bar, chain, and motor wear. If you must force chain into wood and cutting creates only sawdust with few large chips, chain is dull.

Items Needed to Sharpen Chain

Purchase these items from your local dealer, hardware store, or chain saw supplies outlet.

- 4 mm (5/32") round file
- File guide
- Medium sized flat file
- Depth gauge tool
- Vise

CLEANING AND MAINTENANCE

Continued

Sharpening Cutters

Use file guide for 30° filing.

1. Adjust chain for proper tension (see *Saw Chain Tension Adjustment*, page 10).
2. Clamp guide bar in vise to hold saw steady. **Note:** Do not clamp chain.
3. Press four millimeter (5/32") round file (attached to file guide) into groove between top plate and depth gauge on chain. File guide should rest on both top plate and depth gauge (see Figures 20 and 21). **Note:** File at midpoint of guide bar.
4. Hold file guide level. Make sure 30° mark on file guide is parallel to center of guide bar (see Figure 20). This will insure that you file cutters at 30° angle.
5. File from inside towards outside of cutter until sharp. Only file in this one direction (see Figure 20). **Note:** Two or three strokes with file should sharpen cutter.
6. After each cutter if sharpened, move chain forward to sharpen next cutter. File all cutters on one side of chain.
7. Move to other side of chain and repeat process.

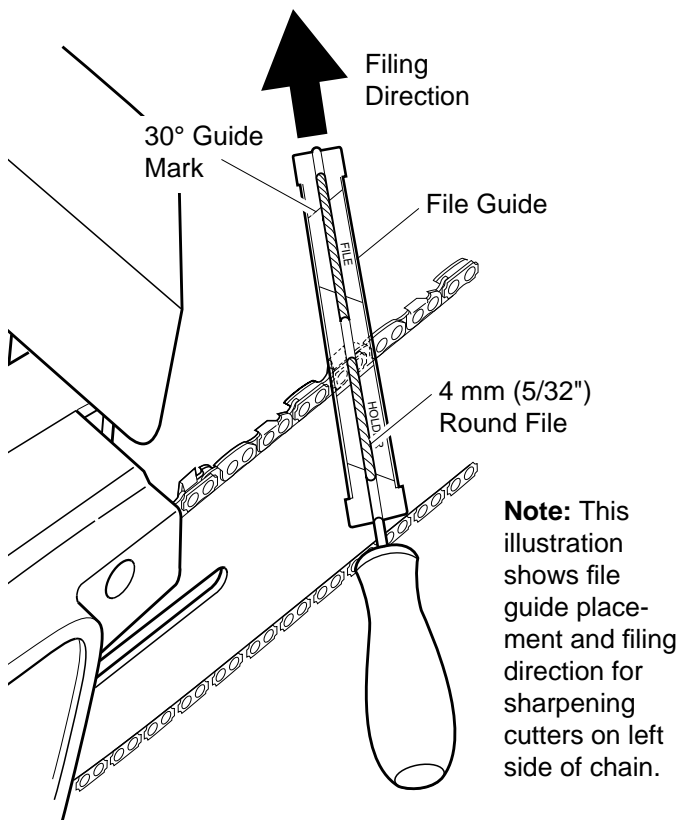


Figure 20 - File and File Guide Placement On Chain

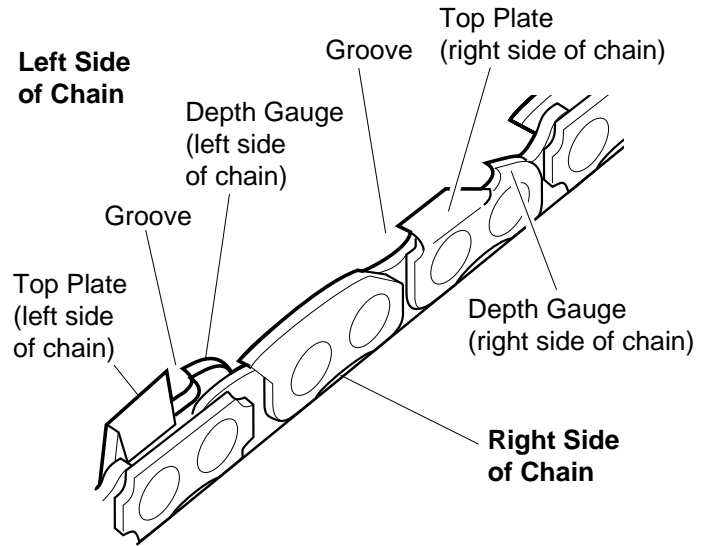


Figure 21 - Chain Part Locations

Filing Cutter Depth Gauges

The cutter depth gauge clearance is reduced as cutters are sharpened. After every second or third sharpening, reset cutter depth gauges.

1. Place depth gauge tool firmly across top of two cutters. Make sure depth gauge enters slot in depth gauge tool (see Figure 22).
2. Use medium flat file. File depth gauge level with depth gauge tool.
3. Remove depth gauge tool. With flat file, round off front corner of cutter depth gauge (see Figure 23).

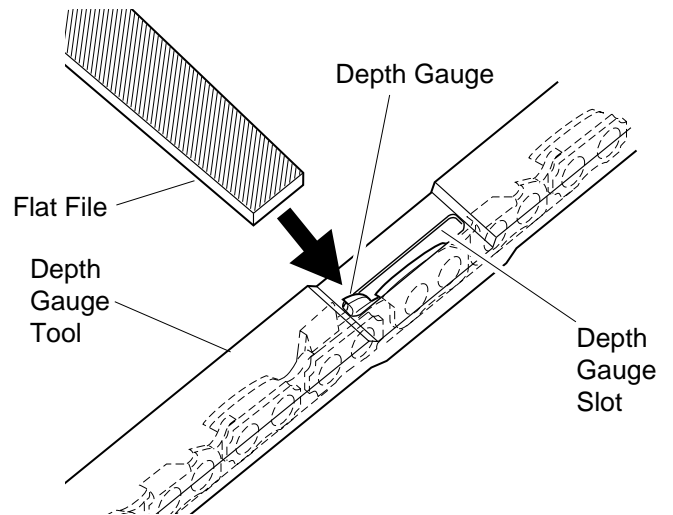


Figure 22 - Depth Gauge Tool On Chain

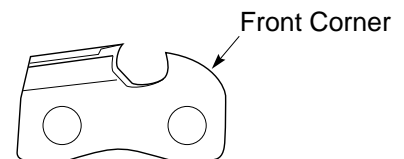


Figure 23 - Round Off Front Corner Of Depth Gauge

After several hand filings, have authorized service center or sharpening service machine sharpen chain. This will insure even filing.

CLEANING AND MAINTENANCE

Continued

Replacing Saw Chain

Replace chain when cutters are too worn to sharpen or when chain breaks. Only use replacement chain noted in this manual. Always include new drive sprocket when replacing chain. This will maintain proper driving of chain. **Note:** For proper chain and drive sprocket, see *Replacement Parts*, below.

STORAGE

If storing saw for more than 30 days, follow steps below.

1. Drain oil tank.
2. Remove and clean guide bar and chain. Clean guide bar and chain by soaking in petroleum based solvent or mild soap and water mixture.
3. Dry guide bar and chain.
4. Place chain in container filled with oil. This will prevent rust.
5. Wipe a thin coating of oil over surface of guide bar.
6. Wipe off outside of saw body. Do this with soft cloth dampened with a mild soap and water mixture.
7. Store chain saw
 - in a high or locked place, out of children's reach
 - in a dry place
 - in a carrying case or with scabbard over guide bar
 - with oil cap tight and saw upside down to prevent excess oil seepage

REPLACEMENT PARTS



WARNING

Use only replacement parts described in this manual. Use of other parts could damage saw or injure operator.

Purchase these parts from your local dealer.

Part Number	Description
097573-01	Guide bar, 400 mm (16")
091375S	Chain, 400 mm (16")
075752	Drive sprocket
079417-03	Wrench/Screwdriver

TROUBLESHOOTING



WARNING

Unplug chain saw from power source before servicing. Severe injury or death could occur from electrical shock or body contact with moving chain.

OBSERVED FAULT	POSSIBLE CAUSE	REMEDY
Saw runs, but does not cut.	Chain assembled backwards on guide bar.	See <i>Replacing Guide Bar / Saw Chain</i> , page 11.
Saw does not cut unless heavily forced. Cutting produces only sawdust with few large chips.	Chain is dull.	See <i>Sharpening Your Saw Chain</i> , page 12.
Saw runs slow. Saw stalls easily.	Low power supply voltage.	Extension cord wire size too small. See <i>Extension Cords</i> , page 6.
Motor of saw does not run when you squeeze trigger.	Switch lockout not pressed in to release trigger.	Press in switch lockout before squeezing trigger.
	Chain brake activated.	Release trigger and move front hand guard back towards rear of saw.
	Extension cord connections loose.	Check cord connections.
	Open line fuse or circuit breaker.	Check line fuse or circuit breaker.
Motor of saw runs, but chain does not move.	Bad motor brushes.	Contact authorized service person.
	Open wiring circuit on saw.	Contact authorized service person.
Chain does not get oil.	Gear train failure.	Contact authorized service person.
	Clogged oil slot in guide bar.	Remove guide bar and clean oil slot.
Chain comes off guide bar.	Oil is too thick.	Use correct weight of oil. See <i>Filling Oil Tank</i> , page 5.
	Chain is loose.	Tighten chain. See <i>Saw Chain Tension Adjustment</i> , page 10.
Saw smokes.	Guide bar and chain not assembled right.	See <i>Replacing Guide Bar / Saw Chain</i> , page 11.
Saw leaks oil.	Saw damaged. Do not use saw.	Contact authorized service person.
Saw leaks oil.	Oil cap is not secure.	Tighten oil cap. <i>Note:</i> Empty oil tank when not in use.
Chain brake does not stop saw chain.	Brake failure.	Contact authorized service person.

WARRANTY INFORMATION

KEEP THIS WARRANTY

Model _____

Serial No. _____

Date Purchased _____

Always specify model and serial numbers when writing.

We reserve the right to amend these specifications at any time without notice. The only warranty applicable is our standard written warranty. We make no other warranty, expressed or implied.

MASTERCRAFT ELECTRIC CHAIN SAW WARRANTY

Canadian Tire Corporation, Limited, Toronto, Canada, warrants to the original purchaser that each Mastercraft Electric Chain Saw is free of defects in workmanship and materials. Canadian Tire agrees to have any defective saw repaired or replaced, within six months from the original date of purchase, when the saw is used for personal, family or household uses.

This warranty is not transferable and does not cover damage caused by improper handling, improper maintenance, or any alteration to the saw which, in our judgment, affects its condition or operation. Additionally, the warranty does not cover chain sharpening, bar and chain and other parts that will wear out and require replacement with reasonable use during the warranty period. Furthermore, this warranty is void when the saw is used for commercial or rental purposes.

No claims for consequential or other damages will be allowed. There are no other express warranties, except those expressly stipulated herein.

To obtain warranty:

1. Consult the Canadian Tire Store where you purchased your Mastercraft product.
2. When presenting the saw for warranty, proof of purchase must be available to prove the saw is still covered by the warranty.
3. Canadian Tire will not be liable for any charges for repairs when a Mastercraft Chain Saw is repaired by other than a service center authorized to perform warranty repairs.
4. The customer will be responsible for all delivery charges to the place of repair.

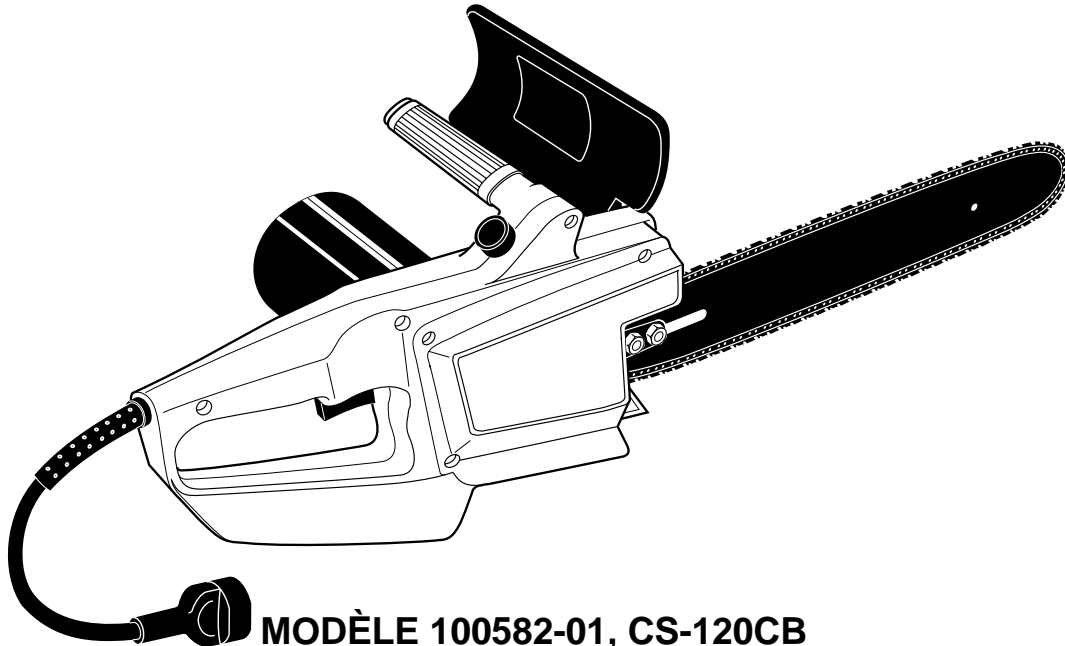
Canadian Tire Corporation, Limited, Toronto, Canada, reserves the right to change, modify or discontinue models, designs, specifications and accessories of all products at any time without notice or obligation to any purchaser.

Imported for
Canadian Tire Corporation, Limited
Toronto, Canada M4P 2V8

MASTERCRAFT

TRONÇONNEUSE ÉLECTRIQUE PRIME

MANUEL D'UTILISATION ET D'ENTRETIEN



MODÈLE 100582-01, CS-120CB
FREIN DE CHAÎNE

IMPORTANT

Il est recommandé de lire et comprendre ce manuel avant d'assembler cette tronçonneuse et de l'utiliser. L'utilisation incorrecte de la tronçonneuse risque d'entraîner des blessures graves. Conserver ce manuel pour pouvoir s'y référer ultérieurement.

TABLE DES MATIÈRES

SECTION	PAGE	SECTION	PAGE
Description des symboles	2	Frein de chaîne	8
Avertissements pour la sécurité	3	Taille d'un arbre (élagage)	8
Avant d'utiliser la tronçonneuse	3	Abattage d'un arbre	9
Recul	3	Ébranchage	10
Poussée et traction	4	Tronçonnage d'une bille	11
Utilisation de la tronçonneuse	4	Réglage de la tension de la chaîne	12
Entretien et remisage de la tronçonneuse	5	Remplacement de l'ensemble lame-guide/chaîne	13
Nomenclature des pièces	6	Nettoyage et entretien	14
Vocabulaire de la tronçonneuse	6	Nettoyage du carter de tronçonneuse	14
Déballage	7	Entretien de la lame-guide	14
Remplissage du réservoir d'huile	7	Affûtage de la chaîne	15
Utilisation de la tronçonneuse	7	Remisage	16
Prolongateurs de cordon	7	Pièces de rechange	16
Lubrification de la chaîne	7	Dépannage	17
Sciage avec la tronçonneuse	7	Information sur la garantie	couverture dos

La classification ACNOR (CSA) de cette tronçonneuse est 2C; tronçonneuse conçue pour l'usage général par des particuliers, propriétaires de résidences, cottages, etc. pour des opérations générales telles le débroussaillage, la taille d'arbres, le sciage de bois de chauffage, etc.

DESCRIPTION

Lire le manuel d'instructions.

Ne pas exposer à la pluie ni utiliser en conditions humides.

Si le cordon est endommagé ou coupé, débrancher immédiatement de la prise de courant.

Tenir la tronçonneuse des deux mains.

Attention au recul.

Porter des protections pour les oreilles et les yeux.

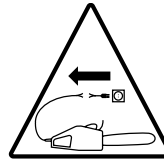
Des avertissements concernant la sécurité figurent dans ce manuel.

Bien les observer. Leurs définitions sont les suivantes:

AVERTISSEMENT indique un risque pouvant entraîner des blessures graves, la mort ou des dégâts matériels importants si l'on ne tient pas compte de la mise en garde.

ATTENTION indique un risque entraînant ou pouvant entraîner des blessures légères ou des dégâts matériels si l'on ne tient pas compte de la mise en garde.

SYMBOLES



AVERTISSEMENTS POUR LA SÉCURITÉ

Lire et comprendre tous les avertissements pour la sécurité qui figurent aux pages 3 et 4. L'utilisation incorrecte de cette tronçonneuse peut entraîner des blessures graves ou la mort, résultant d'un incendie, de chocs électriques, d'un contact du corps avec la chaîne en mouvement ou de la chute de bois.

AVANT D'UTILISER LA TRONÇONNEUSE

1. Avant d'utiliser la tronçonneuse, lire et comprendre ce manuel d'utilisation et d'entretien.
2. Utiliser la tronçonneuse uniquement pour couper du bois. Elle ne doit pas servir à couper un objet qui n'est pas en bois.
3. La tronçonneuse ne doit être utilisée que par des adultes qui ont appris comment s'en servir. Ne jamais laisser des enfants s'en servir. Lorsqu'on utilise l'outil pour la première fois, on doit demander des instructions claires et pratiques ainsi que lire ce manuel. Il est recommandé de s'exercer à tronçonner des billes sur un chevalet de sciage ou un berceau.
4. Utiliser uniquement la tension de courant électrique indiquée sur la plaque signalétique de la tronçonneuse.
5. Utiliser uniquement des prolongateurs de cordon électrique spécifiés pour l'usage à l'extérieur. Se reporter à la page 8 pour les conditions requises.
6. Ne pas utiliser la tronçonneuse:
 - lorsqu'on est sous l'influence d'alcool, de médicaments ou de drogues,
 - sous la pluie, dans les endroits humides ou mouillés,
 - là où se trouvent des liquides ou gaz très inflammables,
 - si elle est abîmée, mal réglée ou incomplètement assemblée,
 - si la gâchette ne commande pas la mise en marche et l'arrêt; la chaîne doit s'immobiliser dès qu'on lâche la gâchette; faire remplacer l'interrupteur défectueux par un réparateur agréé;
 - quand on est fatigué ou pressé,
 - quand on se trouve sur un arbre ou une échelle, à moins d'avoir été formé spécialement.
7. Lors de l'utilisation de la tronçonneuse, porter des vêtements ajustés; ne pas porter de vêtements amples ni de bijoux qui pourraient se prendre dans la chaîne en mouvement.
8. Lors de l'utilisation de la tronçonneuse, porter l'équipement de sécurité suivant:
 - gants renforcés (gants en caoutchouc si l'on travaille dehors),
 - chaussures de sécurité à bout acier avec semelles antidérapantes,
 - protection des yeux telle que lunettes de sécurité, lunettes-masque, ou masque,
 - casque de sécurité,
 - serre-tête antibruit ou bouchons d'oreilles,
 - coiffe antiscalp pour retenir les cheveux longs,
 - masque ou masque antipoussières (si l'on travaille dans une atmosphère poussiéreuse).

9. Avant de couper, toujours prévoir les éléments suivants:
 - une zone de travail dégagée,
 - un équilibre stable,
 - un chemin de dégagement pour s'écarter de l'arbre qui tombe.
10. Inspecter l'arbre avant de l'abattre. S'assurer qu'il n'y a pas de branches mortes qui pourraient tomber sur l'utilisateur.

RECU

AVERTISSEMENT

Éviter le recul. Celui-ci peut faire perdre le contrôle de la tronçonneuse, entraînant des blessures graves ou la mort.

Dispositifs de protection contre le recul sur cette tronçonneuse

Cette tronçonneuse est munie d'une chaîne à faible recul et d'une lame-guide à recul réduit. Ces deux éléments réduisent le risque de recul. Cependant, celui-ci peut encore se produire. Ne pas laisser le bout de la lame-guide toucher quelque chose quand la chaîne est en mouvement.

Cette tronçonneuse est munie d'un frein de chaîne. Lorsqu'une réaction de recul se produit, l'écran de protection avant de la main est poussé vers l'avant par le dos de la main gauche de l'utilisateur. Ceci immobilise rapidement la chaîne, réduisant ainsi le risque de blessures graves.

Ne jamais tenir la tronçonneuse par l'écran de protection avant de la main.

Cause du recul

Le recul peut se produire lorsque le nez ou le bout de la lame-guide touche un objet pendant que la chaîne est en mouvement. Si le taillant de chaîne s'accroche sur un objet, une réaction soudaine vers l'arrière se produit. La lame-guide fait un mouvement brusque vers le haut et vers l'arrière, en direction de l'utilisateur.

Le recul peut aussi se produire quand le bois pince la chaîne au niveau du nez de la lame-guide. Il s'ensuit également une réaction soudaine vers l'arrière.

On peut prendre les mesures suivantes pour réduire le risque de recul:

- Se servir des deux mains pour tenir la tronçonneuse pendant son fonctionnement. Tenir l'outil d'une poigne ferme. Les pouces et les doigts doivent envelopper les poignées.
- Tous les dispositifs de sécurité doivent être maintenus en place sur la tronçonneuse. S'assurer qu'ils fonctionnent correctement.
- Ne pas essayer d'atteindre trop loin ni de couper au-dessus de la hauteur de l'épaule.
- Maintenir un équilibre stable sur les deux pieds.
- Se tenir légèrement à gauche de l'outil. Le corps n'est pas

À suivre

⚠ AVERTISSEMENTS POUR LA SÉCURITÉ

Suite

ainsi en prolongement direct de la chaîne.

- Ne pas laisser le nez de la lame-guide toucher quelque

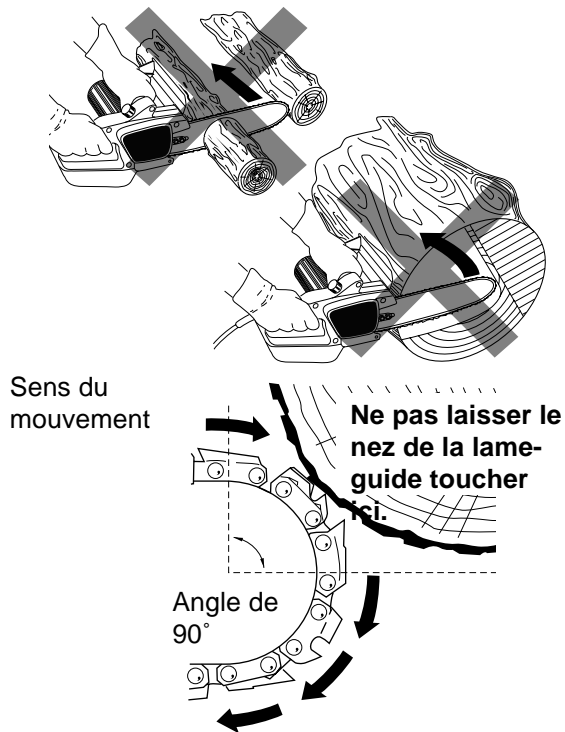


Figure 1 - Exemple du risque de recul. Ne pas laisser le nez de la lame-guide toucher un objet pendant que la chaîne est en mouvement.

chose quand la chaîne est en mouvement. (Voir la figure 1.)

- Ne jamais essayer de couper deux billes en même temps. En couper seulement une à la fois.
- Ne pas enfouir le nez de la lame-guide ni essayer de couper en plongeant (faire un trou dans le bois en enfonçant le nez de la lame-guide).
- Surveiller le mouvement du bois ou les autres forces qui pourraient pincer la chaîne.
- Faire très attention quand on repénètre dans une entaille.
- Utiliser la chaîne à faible recul et la lame-guide fournies avec cette tronçonneuse. Remplacer ces pièces uniquement par les chaînes et lames-guides spécifiées dans ce manuel.
- Ne jamais utiliser une chaîne émoussée ou détendue. Maintenir la chaîne affûtée et tendue correctement.

Entretien de la tronçonneuse et protection contre le recul

Suivre les instructions d'entretien figurant dans ce manuel. Les risques de recul peuvent être réduits par le nettoyage et l'entretien adéquats de l'outil, de la chaîne, de la lame-guide. Après chaque utilisation, inspecter la tronçonneuse et l'entretenir. Ceci prolonge sa durée en service. **Note:** Même si la chaîne est affûtée correctement, le risque de recul peut augmenter à chaque affûtage.

POUSSÉE ET TRACTION

⚠ AVERTISSEMENT

Éviter la poussée et la traction. Ces risques peuvent faire perdre le contrôle de la tronçonneuse. La poussée et la traction peuvent entraîner des blessures graves.

Causes de la poussée et de la traction

La poussée peut se produire quand on coupe avec le haut de la lame-guide. Elle pousse la tronçonneuse vers l'utilisateur. La traction peut se produire quand on coupe avec le bas de la lame-guide. Elle attire l'outil vers le bois que l'on est en train de couper. Ces réactions peuvent se produire si la chaîne est pincée, prise ou touche un objet qui n'est pas en bois.

Les mesures suivantes peuvent réduire le risque de poussée et de traction:

- Se servir des deux mains pour tenir la tronçonneuse pendant son fonctionnement. Tenir l'outil d'une poigne ferme. Les pouces et les doigts doivent envelopper les poignées.
- Ne pas essayer d'atteindre trop loin ni de couper au-dessus de la hauteur de l'épaule.
- Maintenir un équilibre stable sur les deux pieds.
- Se tenir légèrement à gauche de l'outil. Le corps n'est pas ainsi en prolongement direct de la chaîne.
- Faire tourner la tronçonneuse à la vitesse maximum avant de commencer une entaille.
- Lors de la coupe, s'assurer que la pointe pare-chocs touche le bois (traction seulement). Se reporter à *Nomenclature des pièces* page 6 pour la repérer.
- Ne jamais essayer de couper deux billes en même temps. En couper seulement une à la fois.
- Surveiller le mouvement du bois ou les autres forces qui pourraient pincer la chaîne.
- Faire très attention quand on repénètre dans une entaille.
- Ne pas tordre la tronçonneuse quand on sort la lame-guide d'une entaille faite par le dessous.
- Utiliser des coins en plastique, bois ou alliage léger (jamais en acier ni en fer) pour maintenir une entaille ouverte.

UTILISATION DE LA TRONÇONNEUSE

1. Rester vigilant. Faire preuve de bon sens pendant l'utilisation de la tronçonneuse.
2. Maintenir la zone de travail propre. Les endroits encombrés sont favorables aux accidents.
3. Surveiller le prolongateur de cordon d'alimentation électrique pendant l'utilisation de la tronçonneuse. Faire attention de ne pas trébucher dedans.
4. Maintenir enfants, animaux et toutes personnes présentes à l'écart de la tronçonneuse et de le prolongateur de cordon d'alimentation électrique. L'utilisateur seul doit se trouver dans la zone de travail.

AVERTISSEMENTS POUR LA SÉCURITÉ

Suite

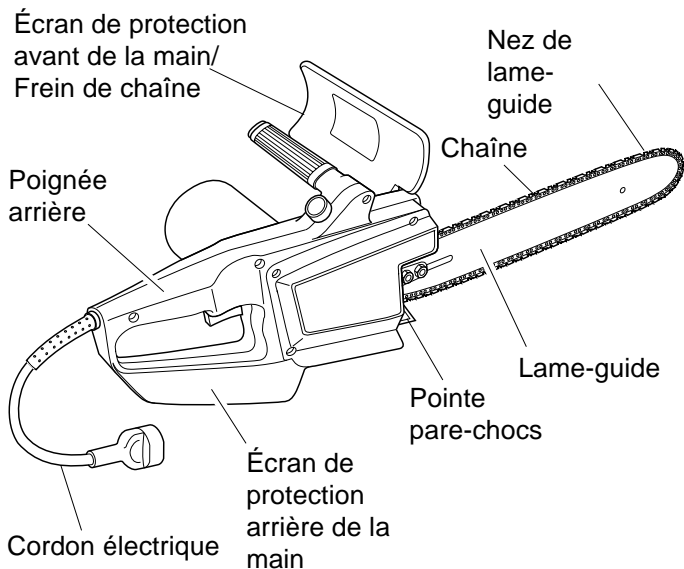
5. N'abattre un arbre que si l'on a été formé ou si l'on dispose d'assistance expérimentée.
6. Si deux ou plusieurs personnes participent aux travaux de tronçonnage et d'abattage en même temps, prévoir un espace suffisant entre les différentes opérations. Il faut une distance au moins égale à deux fois la hauteur de l'arbre à abattre.
7. Fixer le bois que l'on est en train de couper à l'aide de colliers ou crampons.
8. Saisir la tronçonneuse fermement des deux mains. Ne jamais la tenir d'une seule main pendant son fonctionnement. Ne jamais se servir de l'écran de protection de la main comme d'une poignée.
9. Ne mettre le doigt sur la gâchette que lorsqu'on est prêt à entailler.
10. Avant de mettre l'outil en marche, s'assurer que la chaîne ne touche rien.
11. Rester à l'écart d'objets mis à la terre tels que tuyaux, clôtures en fil de fer et poteaux métalliques.
12. Lorsque l'outil est en marche, n'approcher de la chaîne aucune partie du corps.
13. Ne pas forcer sur la tronçonneuse pendant la coupe. N'appliquer qu'une pression légère.
14. Couper la broussaille peu épaisse et les jeunes pousses avec grandes précautions car ces matériaux légers peuvent se prendre dans la chaîne et être projetés vers l'utilisateur. Dans ce cas, il risque aussi de perdre l'équilibre.
15. Quand on coupe une branche ou un tronc d'arbre sous tension, faire également très attention. Le bois fait ressort: quand la tension disparaît, la branche projetée risque de heurter l'utilisateur, entraînant des blessures graves ou la mort.
16. Ne pas activer le frein de chaîne pour arrêter l'outil. Pour ce faire, toujours lâcher la gâchette.
17. Pour transporter la tronçonneuse d'un endroit à un autre:
 - débrancher le cordon d'alimentation électrique;
 - tenir l'outil par la poignée avant (jamais par l'écran de protection avant de la main);
 - ne pas laisser le doigt sur la gâchette;
 - placer la lame-guide et la chaîne vers l'arrière;
 - mettre le fourreau en place.

ENTRETIEN ET REMISAGE DE LA TRONÇONNEUSE

1. Débrancher le cordon de la prise de courant:
 - quand on n'utilise pas la tronçonneuse,
 - avant de la déplacer d'un endroit à un autre,
 - avant de procéder à son entretien,
 - avant de changer des accessoires ou des pièces.
2. Inspecter la tronçonneuse avant et après chaque utilisation. Bien contrôler l'outil si une protection ou une pièce quelconque a été endommagée. Bien vérifier pour déceler tout dégât pouvant affecter la sécurité de l'utilisateur ou le fonctionnement de l'outil. Vérifier que les pièces mobiles sont bien alignées et ne sont pas coincées. Vérifier que l'interrupteur commande bien la mise en marche et l'arrêt du moteur. Vérifier le frein de chaîne. Vérifier qu'il n'y a pas de pièces cassées ou endommagées. Ne pas utiliser la tronçonneuse si les dégâts affectent la sécurité ou son fonctionnement. Faire remettre l'outil en état par un réparateur agréé.
3. Se servir de l'outil avec précaution:
 - Ne jamais l'exposer à la pluie.
 - Maintenir la chaîne affûtée, propre et lubrifiée.
 - Suivre la procédure décrite dans ce manuel pour l'affûtage de la chaîne.
 - Garder les poignées sèches, propres et exemptes d'huile.
 - Garder vis et écrous bien serrés.
 - Inspecter souvent le cordon d'alimentation électrique. S'il est abîmé, le faire remettre en état par un réparateur agréé.
 - Ne jamais transporter la tronçonneuse en la tenant par le cordon d'alimentation électrique.
 - Ne jamais tirer sur le cordon pour débrancher la fiche de la prise de courant.
 - Tenir le cordon à l'écart de la chaleur, de l'huile et des bords coupants.
 - Inspecter souvent les prolongateurs et les remplacer si elles sont abîmées.
4. Pour la réparation, utiliser uniquement des pièces de rechange identiques.
5. Toujours remiser la tronçonneuse:
 - dans un endroit en hauteur ou verrouillé, hors de la portée des enfants,
 - dans un endroit sec,
 - dans une malette de transport ou avec un fourreau recouvrant la lame-guide.

Conserver ce manuel comme référence. C'est un guide pour l'utilisation sécuritaire et correcte de la tronçonneuse.

NOMENCLATURE DES PIÈCES



Regard du niveau d'huile (situé sur le carter de la tronçonneuse, caché par la poignée avant)

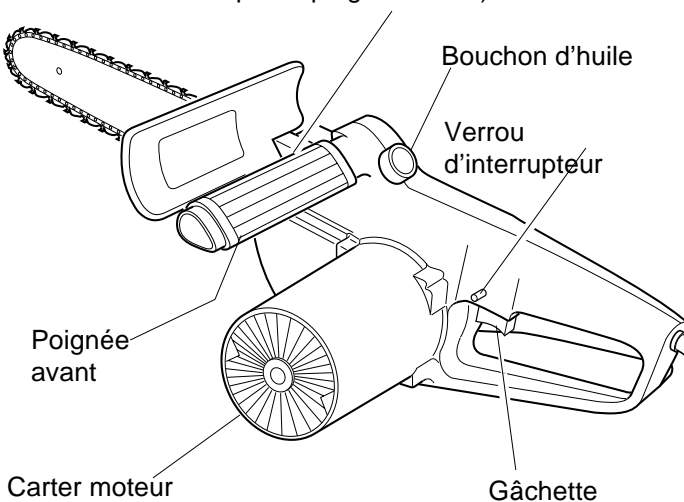


Figure 2 - Tronçonneuse électrique

VOCABULAIRE DE LA TRONÇONNEUSE

Abattage Coupe d'un arbre.

Chaîne Boucle de chaîne ayant des dents tranchantes pour couper le bois. C'est le moteur qui entraîne la chaîne. La lame-guide soutient la chaîne.

Chaîne à faible recul Chaîne qui réduit le risque de recul selon la norme CSA Z62.3.

Chaîne de rechange Chaîne conforme à la norme CSA Z62.3 quand elle est utilisée avec une tronçonneuse spécifique. Il se peut qu'elle ne soit pas conforme aux exigences CSA quand elle est utilisée avec d'autres tronçonneuses.

Coupe d'abattage Coupe finale pour l'abattage d'un arbre. Faire cette entaille du côté opposé au sifflet.

Dispositif de lubrification Système de lubrification de la lame-guide et de la chaîne.

Ébranchage Coupe des branches d'un arbre abattu.

Écran de protection avant de la main Protection située entre la poignée avant et la lame-guide. Protège la main gauche pendant l'utilisation de la tronçonneuse. Lorsque le recul se produit, cet écran est déplacé vers l'avant par le dos de la main gauche de l'utilisateur. Ceci immobilise rapidement la chaîne, réduisant ainsi les risques de blessures graves.

Entaille par le dessous Entaille effectuée vers le haut à partir du dessous d'une bille ou d'une branche. Ceci se fait en position normale de coupe et en coupant avec le haut de la lame-guide.

Gâchette Dispositif qui met en marche et arrête la tronçonneuse. Quand on appuie sur la gâchette, la tronçonneuse se met en marche. Elle s'arrête quand on lâche la gâchette.

Groupe moteur Tronçonneuse sans chaîne ni lame-guide. Aussi nommé carter.

Interrupteur Dispositif qui ferme ou ouvre le circuit électrique du moteur de la tronçonneuse.

Lame-guide à recul réduit Lame-guide qui réduit le risque de recul.

Lame-guide Lame métallique qui prolonge le carter de la tronçonneuse. La lame-guide soutient et guide la chaîne.

Nez de lame-guide Bout ou extrémité de la lame-guide.

Pignon Roue dentée qui entraîne la chaîne.

Poignée arrière Poignée située à l'arrière du carter.

Poignée avant Située à l'avant du carter de la tronçonneuse.

Pointe pare-chocs Dent pointue située à l'avant du carter, à côté de la lame-guide. Garder la pointe pare-chocs contre le bois lors de l'abattage ou du tronçonnage. Elle facilite le maintien de la position de la tronçonneuse pendant la coupe.

Position normale de coupe Position à tenir pendant le tronçonnage et l'abattage.

Poussée (recul, pincement) Poussée brusque en arrière de la tronçonneuse. Peut se produire si la partie de la chaîne sur le haut de la lame-guide est pincée, prise ou touche un objet étranger.

Recul Mouvement brusque vers l'arrière et vers le haut de la lame-guide. Le recul peut se produire quand le bout de la lame-guide touche un objet pendant le mouvement de la chaîne. La lame-guide fait alors un mouvement brusque vers le haut et vers l'arrière, en direction de l'utilisateur.

Sifflet Entaille en forme d'encoche faite dans un arbre qui dirige sa chute.

Taille (élagage) Coupe des branches d'un arbre sur pied.

Tringlerie d'interrupteur Ce dispositif relie l'interrupteur à la gâchette. Il déplace l'interrupteur quand on appuie sur la gâchette.

Tronçonnage Coupe d'un arbre abattu ou d'une bille en tronçons.

Verrou d'interrupteur Dispositif qui réduit le risque de mise en marche involontaire de la tronçonneuse.

DÉBALLAGE

1. Sortir du carton toutes les pièces.
2. Vérifier toutes les pièces pour déceler d'éventuels dégâts durant l'expédition. Si l'on constate des dégâts ou s'il manque des pièces, prévenir rapidement le concessionnaire chez qui la tronçonneuse a été achetée.

REPLISSAGE DU RÉSERVOIR D'HUILE

1. Enlever le bouchon d'huile.
2. Remplir le réservoir d'huile avec de l'huile moteur SAE#30. **Note :** Pour les températures inférieures à -1 °C (30°F), utiliser l'huile SAE#10. Pour les températures supérieures à 24°C (75°F), utiliser l'huile SAE#40.
3. Remettre le bouchon d'huile immédiatement en place. Bien le visser pour qu'il soit étanche. Ceci évite les fuites d'huile.
4. Essuyer l'excédent d'huile.

Note : Il est normal que l'huile suinte lorsque la tronçonneuse n'est pas utilisée. Vider le réservoir d'huile, visser le bouchon et ranger la scie à l'envers après chaque usage pour empêcher l'huile de suinter.

UTILISATION DE LA TRONÇONNEUSE

⚠ AVERTISSEMENT

Il est recommandé de lire et comprendre ce manuel avant d'utiliser cette tronçonneuse. Ne pas oublier de lire et comprendre tous les avertissements concernant la sécurité. L'utilisation incorrecte de cette tronçonneuse peut entraîner des blessures graves ou la mort, résultant d'un incendie, de chocs électriques, d'un contact du corps avec la chaîne en mouvement ou de la chute de bois.

PROLONGATEURS DE CORDON

Avec cette tronçonneuse, utiliser le prolongateur cordon correct. Utiliser uniquement des prolongateurs spécifiés pour l'usage à l'extérieur. Utiliser un prolongateur d'un calibre égal ou supérieur à 14 SWG pour les distances allant jusqu'à 30 mètres (100 pieds). Le cordon doit être étiqueté d'un code de type comportant le suffixe W-A. *Par Exemple :* SJTW-A.

Utiliser un prolongateur assez robuste pour supporter l'intensité de courant nécessaire à la tronçonneuse. Un prolongateur trop faible cause une chute de tension au niveau de l'outil, une perte de puissance et une surchauffe.

Tenir le cordon éloigné de la zone de coupe. S'assurer qu'il n'est pas accroché dans les branches ou billes durant la coupe. Inspecter souvent les cordons électriques. Les remplacer quand ils sont endommagés.

Il se peut que le prolongateur se détache du cordon durant l'utilisation. Pour éviter cela, faire un noeud pour joindre les deux cordons, comme illustré à la figure 3 ci-dessous.

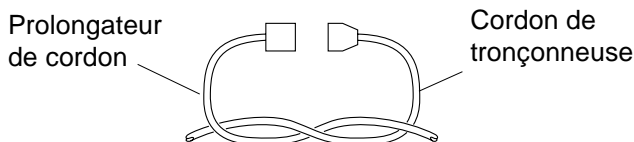


Figure 3 - Noeud reliant le prolongateur avec le cordon

100549

LUBRIFICATION DE LA CHAÎNE

Toujours vérifier le niveau d'huile avant d'utiliser la tronçonneuse. Pour lubrifier la chaîne, appuyer sur le bouchon d'huile. Cela amène l'huile à la lame-guide et à la chaîne. Appuyer sur le bouchon au moins une fois avant chaque coupe. Vérifier souvent le niveau d'huile en contrôlant le regard de niveau. Il se trouve du côté gauche de la tronçonneuse, entre la poignée avant et l'écran de protection avant de la main

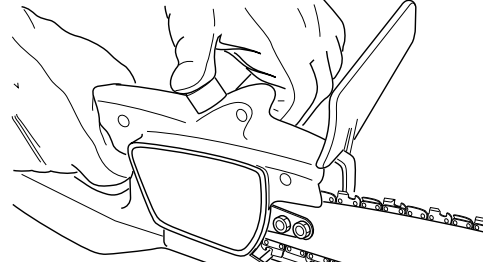


Figure 4 - On appuie sur le bouchon d'huile pour lubrifier la chaîne

SCIAGE AVEC LA TRONÇONNEUSE

1. Relier la tronçonneuse à un prolongateur de cordon électrique. Brancher le prolongateur à une prise de courant.
2. La section de bille à tronçonner ne doit pas se trouver sur le sol. Ceci évite que la chaîne ne touche le sol à la fin du tronçonnage. Une chaîne en mouvement qui touche le sol s'émousse.
3. Se servir des deux mains pour tenir la tronçonneuse. Toujours utiliser la main gauche pour saisir la poignée avant et la main droite pour saisir la poignée arrière. Tenir fermement. Les pouces et les doigts doivent entourer les poignées. (Voir la figure 5.)
4. Veiller à maintenir un bon équilibre. Garder les pieds écartés. Répartir le poids également sur les deux pieds. Se tenir légèrement à gauche de la tronçonneuse. Ceci évite que le corps ne soit en prolongement direct de la chaîne.
5. Lorsqu'on est prêt à faire une entaille, appuyer sur le verrou d'interrupteur avec le pouce droit et appuyer sur la gâchette. (Voir la figure 5.) Ceci met la tronçonneuse en marche. Elle s'arrête quand on lâche la gâchette. S'assurer que la chaîne tourne à la vitesse maximum avant d'entamer l'entaille.

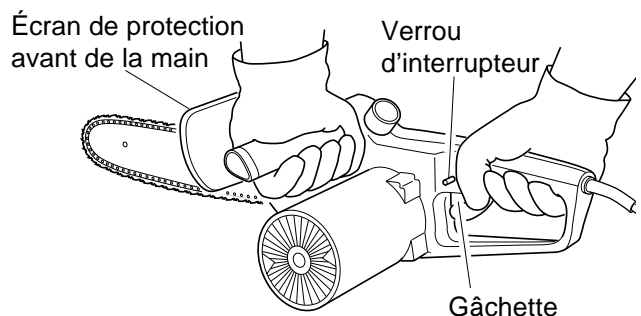


Figure 5 - Emplacement de l'écran de protection avant de la main, du verrou d'interrupteur et de la gâchette

UTILISATION DE LA TRONÇONNEUSE

Suite

6. Au moment d'entamer l'entaille, placer la chaîne en mouvement contre le bois. Tenir la tronçonneuse fermement en place pour éviter qu'elle rebondisse ou dérape (mouvement latéral).
7. Guider l'outil en exerçant une légère pression. Ne pas forcer dessus. Le moteur serait surchargé et pourrait griller.
8. Pour sortir la tronçonneuse d'une entaille, la laisser tourner à la vitesse maximum. L'arrêter en lâchant la gâchette; ne pas se servir du frein de chaîne. S'assurer que la chaîne est immobilisée avant de poser l'outil sur le sol.
9. S'exercer à scier jusqu'à ce qu'on puisse maintenir une allure régulière.

FREIN DE CHAÎNE

Le frein de chaîne permet d'immobiliser rapidement la chaîne. Le recul provoque le contact de la main gauche de l'utilisateur avec l'écran de protection avant. (Voir la figure 6.) Quand cet écran est déplacé vers l'avant, la chaîne s'immobilise. Ceci réduit les risques de blessures graves durant le recul. Quand le frein de chaîne s'active, lâcher immédiatement la gâchette.

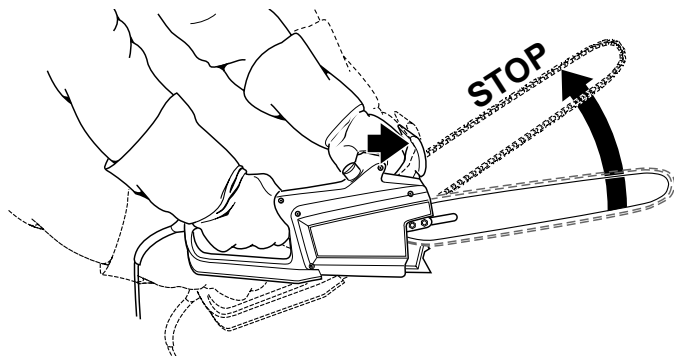


Figure 6 - Le frein de chaîne immobilise rapidement la chaîne.

Pour réarmer le frein de chaîne, lâcher la gâchette et remettre l'écran de protection avant de la main en place. Il faut d'abord lâcher la gâchette. Sinon, la chaîne se remet en marche dès le repositionnement de l'écran de protection avant.

Note : Tester le frein de chaîne avant chaque utilisation. Saisir fermement la tronçonneuse des deux mains. La chaîne étant en marche, pousser l'écran de protection avant de la main vers l'avant avec le dos de la main gauche. Garder les deux mains sur les poignées. La chaîne doit s'immobiliser. Si le frein de chaîne ne marche pas, le faire réparer par un réparateur agréé.

TAILLE D'UN ARBRE (Élagage)

⚠ AVERTISSEMENT

Éviter la réaction de recul qui peut provoquer des blessures graves ou la mort. Voir *Recul*, page 3 pour éviter les risques de recul.

⚠ AVERTISSEMENT

Ne pas utiliser la tronçonneuse quand on est:

- dans un arbre,
- sur une échelle ou toute autre surface instable,
- dans une position instable.

On risque de perdre le contrôle de l'outil, ce qui peut provoquer des blessures graves.

⚠ AVERTISSEMENT

Ne pas couper de branches au-dessus de la hauteur de l'épaule.

La taille d'un arbre est la coupe des branches de l'arbre sur pied. Veiller à maintenir un bon équilibre. Garder les pieds écartés. Répartir le poids également sur les deux pieds. Procéder de la façon suivante pour la taille d'un arbre.

1. Faire la première entaille à 15 cm (6 po) du tronc, sur le dessous de la branche. Utiliser le haut de la lame-guide pour faire cette entaille. Couper sur 1/3 du diamètre de la branche. (Voir la figure 7.)
2. Avancer de 5 à 10 cm (2 à 4 po) plus loin sur la branche. Faire la seconde entaille à partir du dessus de la branche. Continuer jusqu'à ce que la branche soit sectionnée.
3. Faire la 3ème entaille aussi près du tronc que possible, sur le dessous du reste de la branche. Utiliser le haut de la lame-guide pour faire cette entaille. Couper sur 1/3 du diamètre du reste de la branche.
4. Faire la 4ème entaille juste au-dessus de la 3ème. Tailler pour rencontrer la 3ème entaille. Ceci enlève le reste de la branche.

⚠ ATTENTION

Si l'utilisateur estime les conditions de travail au-delà de ses capacités, il lui est conseillé de faire appel à un professionnel.

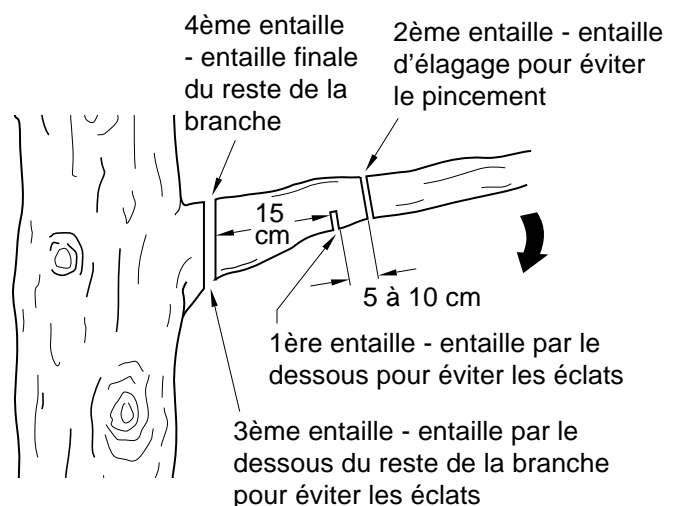


Figure 7 - Coupe d'une branche

UTILISATION DE LA TRONÇONNEUSE

Suite

ABATTAGE D'UN ARBRE

AVERTISSEMENT

- Éviter la réaction de recul qui peut provoquer des blessures graves ou la mort. Voir *Recul*, page 3 pour éviter les risques de recul.
- Ne pas abattre d'arbre si l'on ne possède pas l'expérience suffisante et si l'on ne dispose pas d'assistance expérimentée.
- Ne pas laisser les enfants, animaux et personnes présentes s'approcher de l'endroit où l'arbre pourrait tomber.
- Si deux ou plusieurs personnes participent aux travaux de tronçonnage et d'abattage en même temps, prévoir un espace suffisant entre les différentes opérations. Il faut une distance au moins égale à deux fois la hauteur de l'arbre à abattre.

AVERTISSEMENT

Lors de l'abattage d'un arbre, bien étudier les alentours. Ne mettre personne en danger. Veiller à ne pas heurter de lignes de services publics et à ne pas causer de dégâts matériels. Si l'arbre heurte une ligne de service public, contacter immédiatement les responsables.

ATTENTION

Si l'utilisateur estime les conditions de travail au-delà de ses capacités, il lui est conseillé de faire appel à un professionnel.

L'abattage est la coupe d'un arbre entier. Veiller à maintenir un bon équilibre. Garder les pieds écartés. Répartir le poids également sur les deux pieds. Procéder de la façon suivante pour l'abattage d'un arbre.

Avant d'abattre un arbre

1. Avant d'abattre un arbre, l'inspecter. S'assurer qu'il n'y a pas de branches mortes qui pourraient tomber sur l'utilisateur. Étudier l'inclinaison naturelle de l'arbre, l'emplacement des grosses branches et la direction du vent. Ceci aide à juger où l'arbre va tomber.
2. Dégager la zone de travail tout autour de l'arbre.
3. Avant d'abattre un arbre, prévoir un chemin de dégagement et le dégager. Le prévoir à l'opposé de la direction de chute de l'arbre et à un angle de 45°. (Voir la figure 8.)

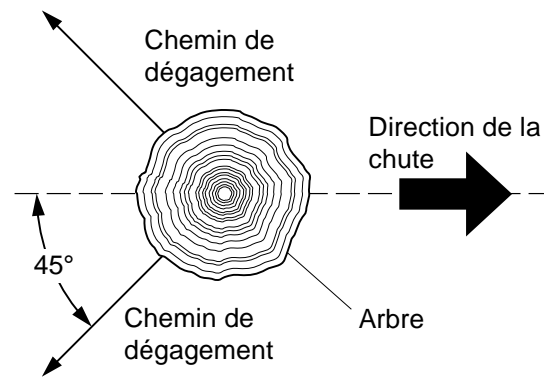


Figure 8 - Chemin de dégagement pour s'éloigner de l'arbre

4. Débarrasser l'arbre où l'on va effectuer les entailles de saleté, cailloux, écorce détachée, clous, agrafes et fil de fer qui pourraient s'y trouver.
5. Lors de l'abattage d'un arbre, rester du côté amont de la pente car il pourrait rouler ou glisser après sa chute.

Procédure d'abattage Sifflet d'abattage

Un sifflet d'abattage correctement placé permet de déterminer la direction de la chute de l'arbre. Placer le sifflet d'abattage du côté de l'arbre où l'on veut qu'il tombe. (Voir la figure 9, page 10.) Procéder de la façon suivante pour faire le sifflet.

1. Faire l'entaille inférieure aussi près du sol que possible. Tenir la tronçonneuse de manière à ce que la lame-guide soit horizontale. Tailler sur 1/3 du diamètre du tronc d'arbre. (Voir la figure 9, page 10.) *Note* : Toujours commencer par faire cette entaille inférieure horizontale. Si l'on fait cette entaille en second, l'arbre risque de pincer la chaîne ou la lame-guide.
2. Entamer l'entaille supérieure au-dessus de la 1ère entaille, à une distance égale à la profondeur de cette dernière.
Exemple : Si l'entaille inférieure a 20 cm (8 po) de profondeur, commencer l'entaille supérieure à 20 cm au-dessus de cette dernière. Scier vers le bas à un angle de 45°. L'entaille supérieure doit rencontrer l'extrémité de l'entaille inférieure. (Voir la figure 9, page 10.)
3. Enlever le morceau de tronc créé par les deux entailles.

Trait d'abattage

1. De l'autre côté de l'arbre, faire le trait d'abattage à 5 cm (2 po) au-dessus de l'entaille inférieure du sifflet. (Voir la figure 9, page 10.) Faire le trait parallèle à l'entaille inférieure.
2. Scier en direction du sifflet.

À suivre

UTILISATION DE LA TRONÇONNEUSE

Suite

⚠ AVERTISSEMENT

Ne pas scier l'arbre complètement. Laisser environ 5 cm (2 po) de bois non scié directement derrière le sifflet d'abattage. (Voir la figure 9.) Cette partie non sciée sert de charnière. La charnière empêche l'arbre de se tordre et de tomber dans la mauvaise direction.

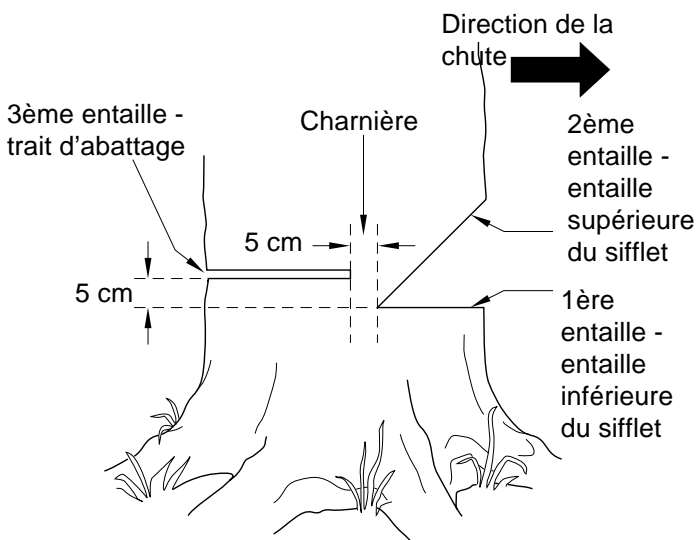


Figure 9 - Abattage d'un arbre

3. Lorsque le trait d'abattage approche de la charnière, l'arbre doit commencer à tomber. **Note** : Si nécessaire, enfoncer des coins dans le trait d'abattage pour contrôler la direction de la chute. Si l'arbre revient en arrière et pince la chaîne, enfoncer des coins dans le trait d'abattage pour libérer la tronçonneuse. Utiliser uniquement des coins en plastique, en bois ou en aluminium. Ne jamais utiliser de coin en acier. Ceci provoquerait une réaction de recul qui risquerait d'endommager la chaîne.
4. Lorsque l'arbre commence à tomber, faire très rapidement les opérations suivantes :
 - sortir la tronçonneuse du trait d'abattage;
 - lâcher la gâchette pour arrêter la tronçonneuse;
 - poser la tronçonneuse sur le sol;
 - s'éloigner par le chemin de dégagement.

⚠ AVERTISSEMENT

Surveiller les branches qui tombent. Regarder où l'on met les pieds en s'éloignant.

ÉBRANCHAGE

⚠ AVERTISSEMENT

Éviter la réaction de recul qui peut provoquer des blessures graves ou la mort. Voir *Recul*, page 3 pour éviter les risques de recul.

⚠ AVERTISSEMENT

Pour couper une branche sous tension, faire très attention. Veiller au bois qui fait ressort : quand la tension disparaît, la branche projetée risque de heurter l'utilisateur, entraînant des blessures graves ou la mort.

⚠ ATTENTION

Si l'utilisateur estime les conditions de travail au-delà de ses capacités, il lui est conseillé de faire appel à un professionnel.

L'ébranchage est la coupe des branches d'un arbre tombé. Veiller à maintenir un bon équilibre. Garder les pieds écartés. Répartir le poids également sur les deux pieds. Ne pas retirer les grosses branches sous l'arbre qui soutiennent le tronc surélevé. Retirer chaque branche d'une seule coupe. (Voir la figure 10.) Dégager souvent la zone de travail en écartant le bois coupé. Ceci contribue à la sécurité du travail.

Veiller à entamer l'entaille à un endroit où la branche ne pincera pas la tronçonneuse durant la coupe. Pour éviter le pincement, entamer l'entaille sur des branches libres, à partir du dessus de la branche. Pour les branches sous tension, entamer l'entaille à partir du dessous de la branche. En cas de pincement, arrêter la tronçonneuse, soulever la branche puis retirer l'outil.

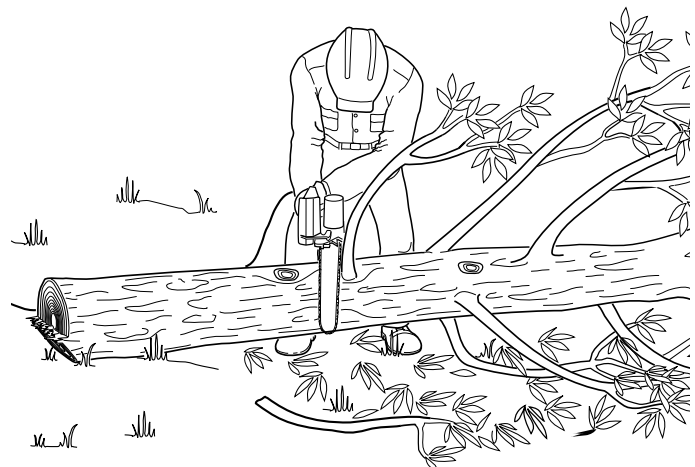


Figure 10 - Ébranchage d'un arbre

UTILISATION DE LA TRONÇONNEUSE

Suite

TRONÇONNAGE D'UNE BILLE

AVERTISSEMENT

Éviter la réaction de recul qui peut provoquer des blessures graves ou la mort. Voir *Recul*, page 3 pour éviter les risques de recul.

AVERTISSEMENT

- Si l'on se trouve sur une pente, s'assurer que la bille ne roulera pas. La maintenir en place à l'aide de piquets de bois. Enfoncer les piquets dans le sol du côté aval par rapport à la bille. Se tenir du côté amont de la bille pour tronçonner car les tronçons risquent de rouler.
- Ne jamais essayer de tronçonner deux billes à la fois. Ceci pourrait augmenter le risque de recul.
- Pendant le tronçonnage d'une bille, ne jamais tenir la bille avec la main, la jambe ou le pied.
- Pendant le tronçonnage d'une bille, ne jamais laisser quelqu'un d'autre tenir la bille.
- Arrêter la tronçonneuse et la débrancher avant de la déplacer d'un endroit à un autre.

ATTENTION

Si l'utilisateur estime les conditions de travail au-delà de ses capacités, il lui est conseillé de faire appel à un professionnel.

Le tronçonnage d'une bille se fait en la coupant en tronçons. Veiller à maintenir un bon équilibre. Garder les pieds écartés. Répartir le poids également sur les deux pieds. Se tenir légèrement à gauche de la tronçonneuse. Ceci évite que le corps ne soit en prolongement direct de la chaîne. Autant que possible, soulever la bille ou le tronçon au-dessus du sol. Pour ce faire, utiliser des branches, tronçons, cales, etc. Pendant le tronçonnage de la bille, maintenir le contrôle en réduisant la pression vers la fin du tronçonnage. Ne pas relâcher les poignées de la tronçonneuse. Veiller à ce que la chaîne en mouvement ne touche pas le sol car cela l'émuuserait. Après le tronçonnage, lâcher la gâchette pour arrêter la tronçonneuse avant de la déplacer.

Procéder de la façon suivante pour tronçonner une bille.

Toute la bille repose au sol.

Tronçonner la bille à partir du dessus. (Voir la figure 11.)



Figure 11 - Tronçonnage d'une bille qui repose entièrement au sol

La bille est soutenue à une extrémité.

1. Faire la première entaille sur le dessous de la bille. (Voir la figure 12.) Pour ce faire, utiliser le haut de la lame-guide. Scier sur le tiers du diamètre de la bille. Cette entaille permet d'éviter la production d'éclats de bois.
2. Faire la seconde entaille directement au-dessus de la première. Aller jusqu'à la rencontre de la première entaille. Ceci permet d'éviter le pincement de la lame-guide et de la chaîne.

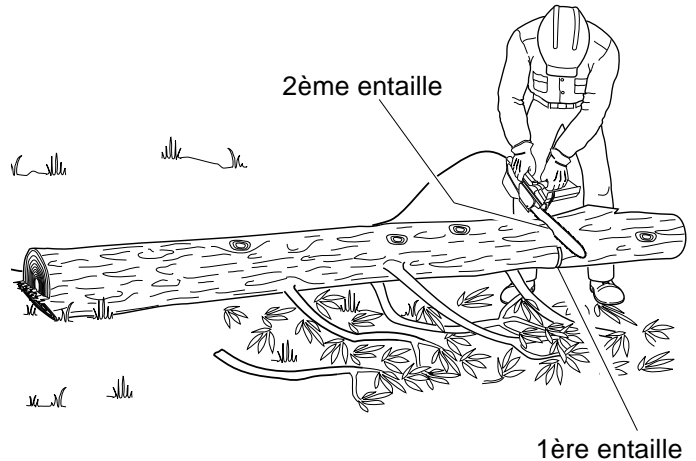


Figure 12 - Tronçonnage d'une bille soutenue à une extrémité

La bille est soutenue aux deux extrémités.

1. Faire la première entaille à partir du dessus de la bille. (Voir la figure 13.) Scier sur le tiers du diamètre de la bille. Cette entaille permet d'éviter la production d'éclats de bois.
2. Faire la seconde entaille sur le dessous de la bille, directement au-dessous de la première. Pour ce faire, utiliser le haut de la lame-guide. Aller jusqu'à la rencontre de la première entaille. Ceci permet d'éviter le pincement de la lame-guide et de la chaîne.

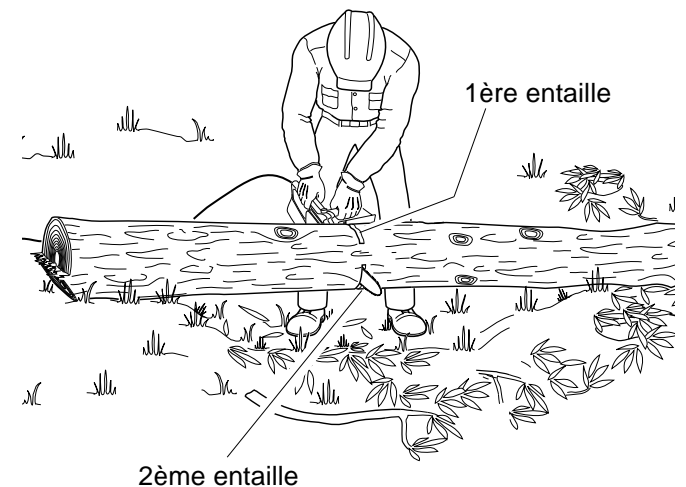


Figure 13 - Tronçonnage d'une bille soutenue aux deux extrémités

RÉGLAGE DE LA TENSION DE LA CHAÎNE

AVERTISSEMENT

Avant de régler la tension de la chaîne, débrancher le cordon de la prise de courant.

AVERTISSEMENT

Les tranchants de la chaîne sont affûtés. Porter des gants de protection pour manipuler la chaîne.

AVERTISSEMENT

Toujours maintenir la chaîne tendue correctement. Une chaîne détendue augmente le risque de recul. De plus, elle risque de sauter hors de la rainure de la lame-guide. Ceci pourrait blesser l'utilisateur et endommager la chaîne. En outre, une chaîne détendue provoque l'usure rapide de la chaîne, de la lame-guide et du pignon.

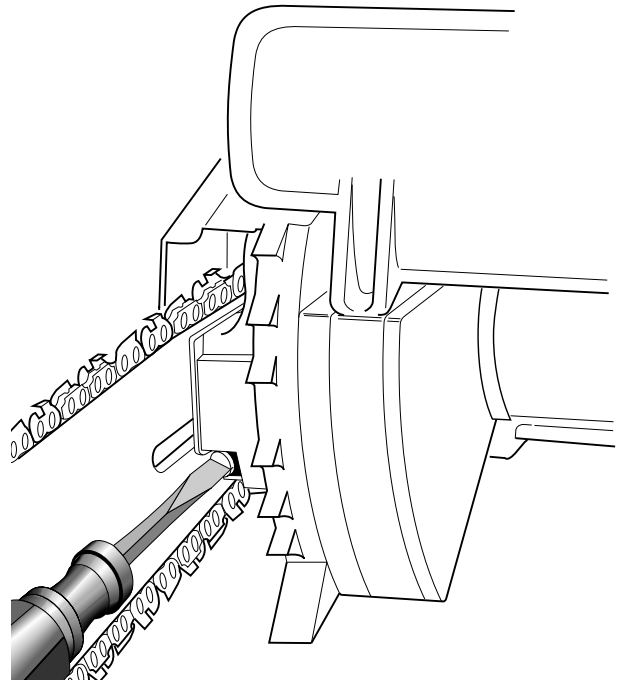


Figure 14 - Pour tourner la vis de réglage

Note : Sur les modèles pré-assemblés, la tension de la chaîne est réglée correctement en usine. Une chaîne neuve se détend. Vérifier une chaîne neuve après les quelques premières minutes d'utilisation. Laisser la chaîne refroidir. Procéder de la façon suivante pour régler la tension.

1. Avant de régler la chaîne, s'assurer que les écrous de la lame-guide sont serrés seulement à la force des doigts. (Voir la figure 16, page 13.) Veiller aussi à ce que le bloc de réglage soit dans le trou de réglage ovale, sur la lame-guide. (Voir les figures 16 et 17, page 13.)
2. Tourner la vis de réglage dans le sens horaire jusqu'à ce que tout le mou ait disparu de la chaîne. (Voir la figure 14.)

Note : Il ne doit pas y avoir d'écart entre les maillons latéraux de la chaîne et le bas de la lame-guide. (Voir la figure 15.)

3. Avec des gants de protection, déplacer la chaîne autour de la lame-guide. Elle doit bouger librement. Si ce n'est pas le cas, détendre la chaîne en tournant la vis de réglage dans le sens antihoraire.
4. Une fois que la tension est correcte, serrer fermement les écrous de la lame-guide. Si les écrous n'étaient pas bien serrés, la lame-guide se déplacerait, ce qui détendrait la chaîne, augmenterait le risque de recul et endommagerait l'outil.

Note : Une chaîne neuve se détend. Vérifier une chaîne neuve après les quelques premières minutes d'utilisation. Laisser la chaîne refroidir. Procéder au réglage de la tension.

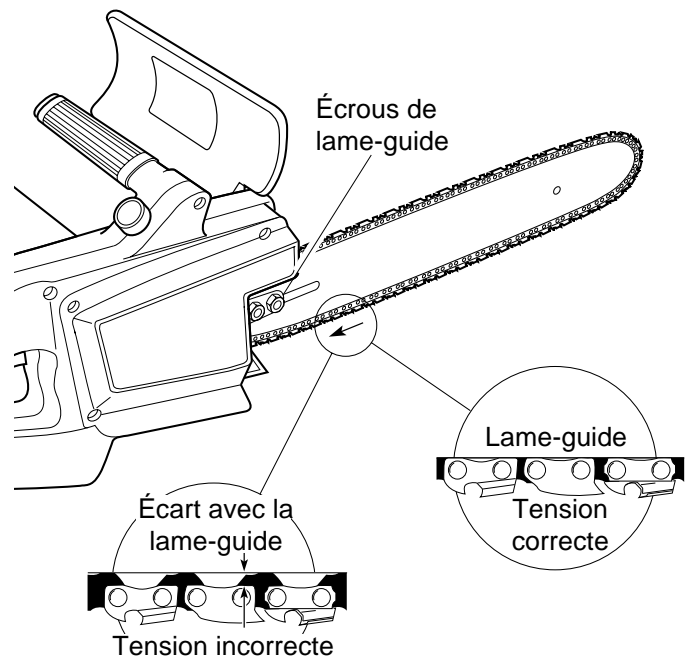


Figure 15 - Réglage de la chaîne

REPLACEMENT DE L'ENSEMBLE LAME-GUIDE/CHAÎNE

1. Poser la chaîne neuve à plat.
2. Enlever le cache-pignon.
3. Dévisser les écrous des boulons de la lame-guide. (Voir la figure 16.)
4. Tourner la vis de réglage dans le sens antihoraire. (Voir la figure 17.) Continuer à tourner la vis jusqu'à ce que le bloc de réglage soit à l'arrière de la plaque de réglage.
5. Enlever l'ensemble lame-guide/chaîne utilisé.
6. Installer la lame-guide neuve sur le carter de la tronçonneuse. Placer l'arrière de la lame-guide entre la plaque de réglage et le support de pignon.

IMPORTANT: Veiller à bien insérer le bloc de réglage dans le trou de réglage ovale, sur la lame-guide.

7. Visser les écrous sur les boulons de la lame-guide.
IMPORTANT: Les visser à la force des doigts seulement. Veiller à ce que le bloc de réglage soit dans le trou de réglage ovale, sur la lame-guide.
8. Placer la chaîne autour du pignon d'entraînement puis le long de la rainure supérieure de la lame-guide et autour du nez de la lame-guide.

Note: S'assurer que les tranchants de la chaîne sont tournés dans le bon sens. Positionner la chaîne de manière que les tranchants se trouvant sur le haut de la lame-guide soient tournés vers le nez de la lame-guide. (Voir la figure 16.)

ATTENTION

Ne pas installer la chaîne à l'envers sinon la tronçonneuse vibrerait excessivement et il serait impossible de couper.

9. Régler la tension de la chaîne. Suivre les opérations décrites au paragraphe *Réglage de la tension de la chaîne*, page 12.
10. Remettre en place le cache-pignon.

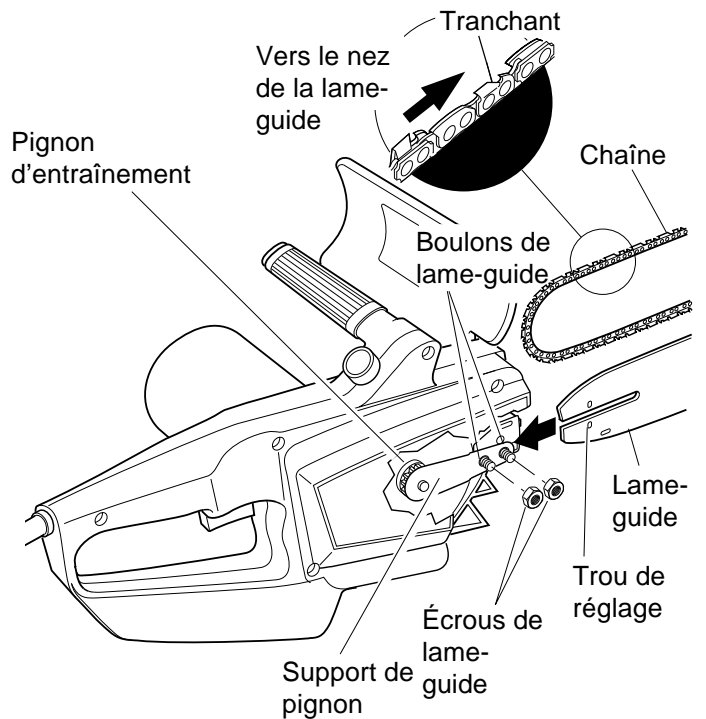


Figure 16 - Assemblage de la lame-guide, de la chaîne et de l'écran de protection de la main

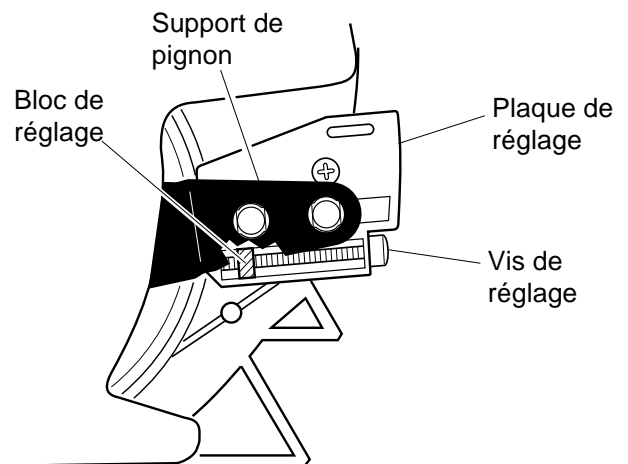


Figure 17 - Emplacement des pièces pour l'assemblage de la lame-guide

NETTOYAGE ET ENTRETIEN

AVIS

Les instructions pour l'entretien de la tronçonneuse se trouvent ci-dessous. Tout entretien qui n'est pas mentionné ci-dessous doit être effectué par un réparateur agréé.

NETTOYAGE DU CARTER DE TRONÇONNEUSE

AVERTISSEMENT

Avant de procéder à l'entretien, débrancher la tronçonneuse de la prise de courant. Des blessures graves ou la mort peuvent être provoquées par les chocs électriques et le contact du corps avec la chaîne en mouvement.

AVERTISSEMENT

Les tranchants de la chaîne sont affûtés. Porter des gants de protection pour manipuler la chaîne.

AVERTISSEMENT

Pour nettoyer le carter de la tronçonneuse:

- Ne pas la plonger dans un liquide.
- Ne pas utiliser de produits contenant de l'ammoniaque, du chlore ou des abrasifs.
- Ne pas utiliser de solvants de nettoyage au chlore, de tétrachlorure de carbone, de kérosène ni d'essence.

Maintenir propre le carter de la tronçonneuse. Utiliser un chiffon doux imprégné d'un mélange d'eau et de savon doux. Essuyer le carter.

ENTRETIEN DE LA LAME-GUIDE

La plupart des problèmes de lame-guide sont causés par son usure inégale. La cause en est souvent l'affûtage incorrect des taillants de la chaîne et le réglage incorrect des limiteurs de profondeur. Lorsque la lame-guide s'use de manière inégale, sa rainure s'élargit. (Voir la figure 18.) Ceci fait claquer la chaîne et sauter les rivets. La tronçonneuse ne peut plus scier droit. Il faut dans ce cas remplacer la lame-guide.

Inspecter la lame-guide avant d'affûter la chaîne. Une lame-guide usée ou endommagée présente des dangers. Elle endommage la chaîne. Le sciage devient également plus difficile.

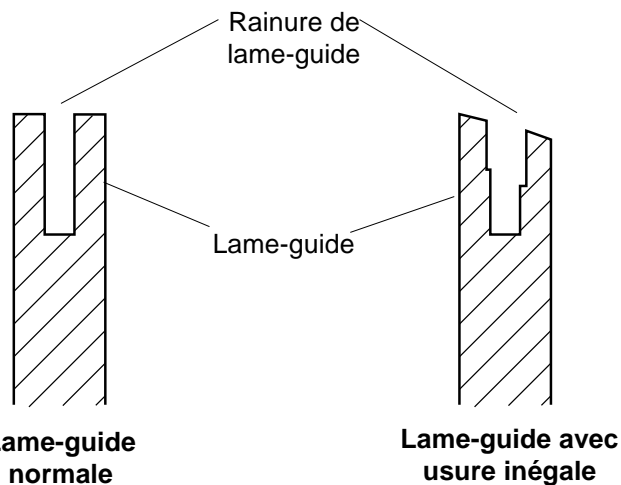


Figure 18 - Coupe transversale d'une lame-guide montrant une usure inégale

Entretien normal de la lame-guide

1. Sortir la lame-guide de la tronçonneuse.
2. Retirer périodiquement la sciure se trouvant dans la rainure de la lame-guide. Utiliser un couteau à mastic ou un morceau de fil de fer.
3. Nettoyer les fentes à huile après chaque journée d'utilisation.
4. Éliminer les ébarbures des côtés de la lame-guide. Utiliser une lime plate pour redresser les bords.

Remplacer la lame-guide quand:

- la lame est tordue ou fendue,
- la rainure interne de la lame est très usée.

Note: Pour le remplacement de la lame-guide, consulter le paragraphe *Pièces de rechange* page 16 pour connaître la lame-guide correcte à utiliser.

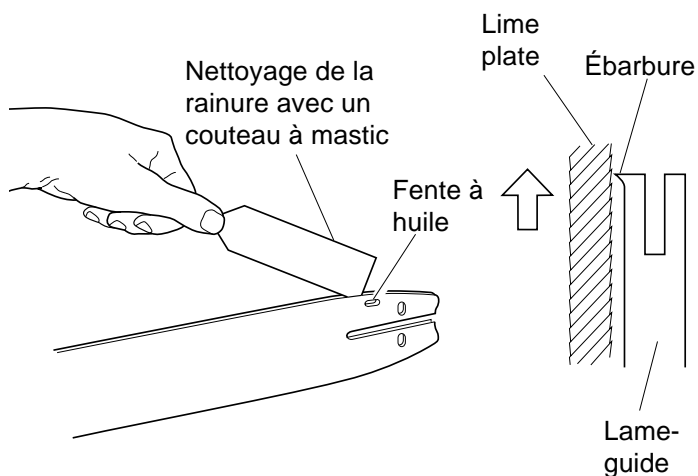


Figure 19 - Entretien de la lame-guide

NETTOYAGE ET ENTRETIEN

Suite

AFFÛTAGE DE LA CHAÎNE

AVERTISSEMENT

Avant de procéder à l'entretien, débrancher la tronçonneuse de la prise de courant. Des blessures graves ou la mort peuvent être provoquées par les chocs électriques et le contact du corps avec la chaîne en mouvement.

AVERTISSEMENT

Les tranchants de la chaîne sont affûtés. Porter des gants de protection pour manipuler la chaîne.

Maintenir la chaîne affûtée. La tronçonneuse scie plus rapidement et de façon plus sécuritaire. Une chaîne émoussée provoque l'usure prématurée du pignon, de la lame-guide, de la chaîne et du moteur. Si l'utilisateur est contraint de forcer sur la chaîne pour la faire entrer dans le bois et si le sciage ne produit que de la sciure avec peu de gros copeaux, c'est que la chaîne est émoussée.

Outils nécessaires pour affûter la chaîne

Ces outils peuvent être achetés chez le concessionnaire local, dans une quincaillerie ou un dépôt de fournitures pour tronçonneuses.

- lime ronde de 4 mm (5/32 po)
- guide lime
- outil pour limiteur de profondeur
- étau
- lime plate moyenne

Affûtage des taillants

Utiliser le guide lime pour un limage à 30°.

1. Régler la chaîne à sa tension correcte. (Voir *Réglage de la tension de la chaîne* page 12.)
2. Serrer la lame-guide dans un étau pour immobiliser la tronçonneuse. *Note* : Ne pas serrer la chaîne.
3. Enfoncer la lime ronde de 4 mm (5/32 po) (attachée au guide lime) dans la rainure, entre la plaque supérieure et le limiteur de profondeur sur la chaîne. Le guide lime doit reposer sur la plaque supérieure et sur le limiteur de profondeur. (Voir les figures 20 et 21.) *Note* : Limer au milieu de la lame-guide.
4. Tenir le guide lime horizontal. S'assurer que le repère 30° du guide lime est parallèle à l'axe de la lame-guide. (Voir la figure 20.) Ceci permet de s'assurer que l'on lime les taillants à un angle de 30°.
5. Limer le taillant de l'intérieur vers l'extérieur, jusqu'à ce qu'il soit affûté. Ne limer que dans cette seule direction. (Voir la figure 20.) *Note* : 2 ou 3 coups de lime doivent affûter le taillant.
6. Une fois le taillant affûté, avancer la chaîne pour affûter le taillant suivant. Limer tous les taillants du même côté de la chaîne.
7. Passer de l'autre côté de la chaîne et répéter l'opération.

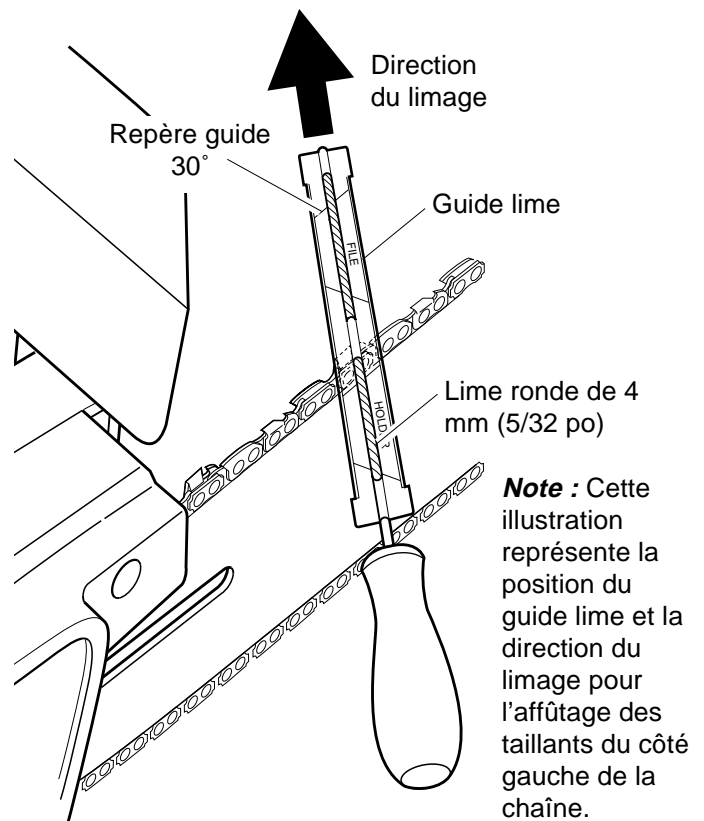


Figure 20 - Position de la lime et du guide lime sur la chaîne

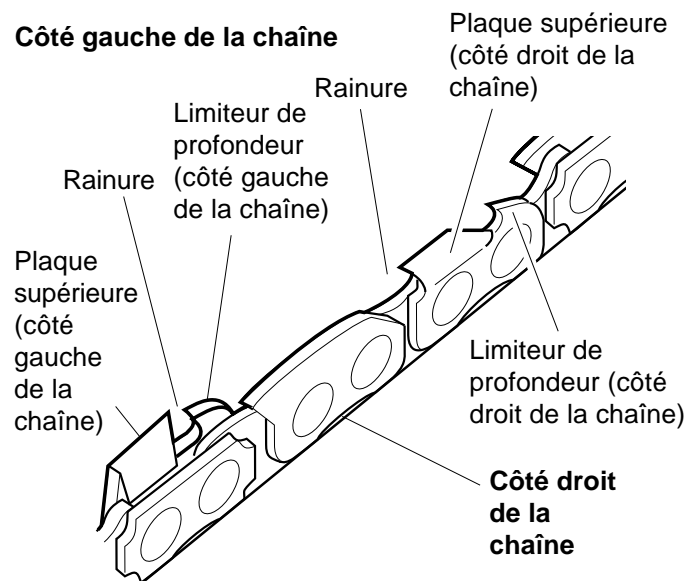


Figure 21 - Emplacement des pièces de la chaîne

À suivre

NETTOYAGE ET ENTRETIEN

Suite

Limage des limiteurs de profondeur des taillants

Le dégagement des limiteurs de profondeur des taillants est réduit lorsque ces derniers sont affûtés. Tous les 2 ou 3 affûtages, régler les limiteurs de profondeur.

1. Placer l'outil pour limiteur de profondeur fermement par-dessus 2 taillants. S'assurer que le limiteur de profondeur entre dans la fente de l'outil. (Voir la figure 22.)
2. Utiliser une lime plate moyenne. Limer le limiteur de profondeur avec l'outil.
3. Retirer l'outil. Avec la lime plate, arrondir le coin avant du limiteur de profondeur. (Voir la figure 23.)

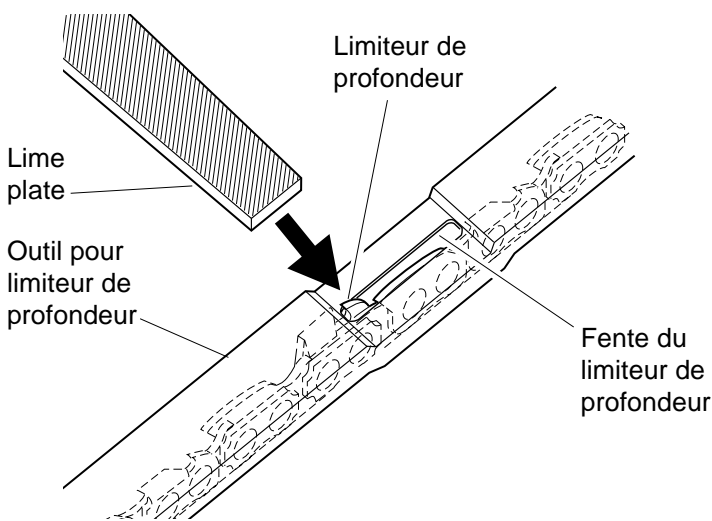


Figure 22 - Position de l'outil pour limiteur de profondeur sur la chaîne

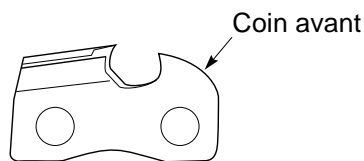


Figure 23 - Round OffFigure 23 - Arrondir le coin avant du limiteur de profondeur

Après plusieurs limages à la main, faire affûter la chaîne par un centre de réparation agréé ou dans une affûteuse. Ceci permet d'avoir un limage uniforme.

Remplacement de la chaîne

Remplacer la chaîne lorsque les taillants sont trop usés pour être affûtés ou lorsque la chaîne casse. Utiliser uniquement la chaîne de rechange spécifiée dans ce manuel. Toujours remplacer le pignon d'entraînement par un neuf lors du remplacement de la chaîne. On obtient ainsi l'entraînement correct de la chaîne. **Note :** Pour connaître la chaîne et le pignon d'entraînement corrects à utiliser, voir *Pièces de rechange* ci-dessous.

REMISAGE

Si l'on remise la tronçonneuse pour plus de 30 jours, procéder de la façon suivante:

1. Vidanger le réservoir d'huile.
2. Déposer la lame-guide et la chaîne et les nettoyer. Pour ce faire, les tremper dans un solvant à base de pétrole ou dans un mélange d'eau et de savon doux.
3. Sécher la lame-guide et la chaîne.
4. Placer la chaîne dans un récipient rempli d'huile. Ceci l'empêche de rouiller.
5. Passer une légère couche d'huile sur la surface de la lame-guide.
6. Essuyer l'extérieur du carter de la tronçonneuse avec un chiffon doux imprégné d'un mélange d'eau et de savon doux.
7. Remiser la chaîne:
 - dans un endroit en hauteur ou verrouillé, hors de la portée des enfants,
 - dans un endroit sec,
 - dans une malette de transport ou avec un fourreau recouvrant la lame-guide,
 - avec le bouchon bien vissé et la scie à l'envers pour empêcher l'huile de suinter.

PIÈCES DE RECHANGE

AVERTISSEMENT

Utiliser uniquement les pièces de rechange spécifiées dans ce manuel. D'autres pièces risqueraient d'endommager la tronçonneuse et de blesser l'utilisateur.

Ces pièces peuvent être achetées chez le concessionnaire local.

Numéro de pièce	Description
097573-01	Lame-guide, 400 mm (16 po)
091375S	Chaîne, 400 mm (16 po)
075752	Pignon d'entraînement
079417-03	Clé à écrous/Tournevis

DÉPANNAGE



AVERTISSEMENT

Avant de faire l'entretien, débrancher la tronçonneuse de la prise de courant. Des blessures graves ou la mort peuvent être provoquées par les chocs électriques et le contact du corps avec la chaîne en mouvement.

DÉFAILLANCE OBSERVÉE	CAUSE POSSIBLE	REMÈDE
La chaîne tourne mais ne scie pas.	Chaîne assemblée à l'envers sur la lame-guide.	Voir <i>Remplacement de l'ensemble lame-guide/chaîne</i> , page 13.
La chaîne ne scie que lorsqu'elle est forcée. La taille ne produit que de la sciure avec quelques gros copeaux.	La chaîne est émoussée.	Voir <i>Affûtage de la chaîne</i> page 15.
La chaîne tourne lentement. Elle cale facilement.	Faible tension électrique d'alimentation.	Le prolongateur de cordon électrique est d'un calibre trop petit. Voir <i>Prolongateurs de cordon électrique</i> page 7.
Le moteur de la tronçonneuse ne marche pas quand on appuie sur la gâchette.	Le verrou d'interrupteur n'est pas enfoncé pour libérer la gâchette.	Enfoncer le verrou d'interrupteur avant d'appuyer sur la gâchette.
	Frein de chaîne activé.	Lâcher la gâchette et ramener l'écran de protection avant de la main vers l'arrière de l'outil.
	Raccords des cordons électriques desserrés.	Vérifier les raccords.
	Fusible ou disjoncteur de ligne ouvert.	Vérifier le fusible ou le disjoncteur.
	Balais de moteur défectueux.	Contacteur un réparateur agréé.
Le moteur de la tronçonneuse marche mais la chaîne ne bouge pas.	Circuit électrique ouvert dans la tronçonneuse.	Contacteur un réparateur agréé.
	Panne du train d'entraînement.	Contacteur un réparateur agréé.
L'huile n'arrive pas à la chaîne.	Fente à huile bouchée dans la lame-guide.	Déposer la lame-guide et nettoyer la fente à huile.
	Huile trop épaisse.	Utiliser l'huile de viscosité correcte. Voir <i>Remplissage du réservoir d'huile</i> page 7.
La chaîne saute hors de la lame-guide.	Chaîne détendue.	Tendre la chaîne. Voir <i>Réglage de la tension de la chaîne</i> page 12.
	La lame-guide et la chaîne n'ont pas été assemblées correctement.	Voir <i>Remplacement de l'ensemble lame-guide/chaîne</i> , page 13.
La tronçonneuse fume.	Outil endommagé. Ne pas l'utiliser.	Contacteur un réparateur agréé.
L'huile fuit.	Bouchon d'huile mal fermé.	Bien fermer le bouchon d'huile. <i>Note</i> : Vidanger le réservoir d'huile quand on n'utilise pas l'outil.
Le frein de chaîne n'immobilise pas la chaîne.	Défaillance du frein.	Contacteur un réparateur agréé.

INFORMATION SUR LA GARANTIE

CONSERVER CETTE GARANTIE

Modèle _____

Numéro de série _____

Date d'achat _____

Dans toute correspondance, toujours préciser les numéros de modèle et de série.

Nous nous réservons le droit de modifier ces spécifications à tout moment, sans préavis. La seule garantie applicable est notre garantie écrite standard. Nous ne faisons aucune autre garantie, ni explicite, ni implicite.

GARANTIE DE LA TRONÇONNEUSE ÉLECTRIQUE MASTERCRAFT

Canadian Tire Corporation, Limited, Toronto, Canada garantit au premier acheteur que chaque tronçonneuse électrique Mastercraft est exempte de défauts de fabrication et de matériaux. Canadian Tire consent à faire réparer ou remplacer toute tronçonneuse défectueuse au cours des six mois suivant la date du premier achat, lorsque la tronçonneuse est utilisée pour des besoins personnels, familiaux ou domestiques.

Cette garantie n'est pas transférable et ne couvre pas les dommages causés par une manipulation ou un entretien incorrect(e) ou par une modification de la tronçonneuse qui, selon notre avis, affecte son état ou son fonctionnement. En outre, la garantie ne couvre ni l'affûtage de la chaîne, ni la lame-guide ni la chaîne, ni les autres pièces qui s'usent et nécessitent un remplacement à la suite d'une utilisation raisonnable durant la période de garantie. De plus, cette garantie est nulle lorsque la tronçonneuse est utilisée à des fins commerciales ou de location.

Aucune réclamation pour des dommages indirects ou autres n'est acceptée. Il n'existe aucune autre garantie expresse, sauf celles expressément stipulées dans la présente.

Pour obtenir la garantie:

1. Communiquer avec le magasin Canadian Tire où l'on a acheté le produit Mastercraft.
2. Lorsque l'on présente la tronçonneuse pour obtenir le service sous garantie, il faut fournir la preuve de l'achat afin de prouver que la tronçonneuse est encore couverte par la garantie.
3. Canadian Tire ne sera pas responsable des frais de réparation encourus lorsqu'une tronçonneuse Mastercraft aura été réparée par un atelier autre qu'un centre de réparation agréé pour effectuer les réparations sous garantie.
4. Le client sera responsable de tous les frais de livraison au lieu de réparation.

Canadian Tire Corporation, Limited, Toronto, Canada se réserve le droit de changer, modifier ou abandonner des modèles, conceptions, spécifications et accessoires de tous les produits, à tout moment, sans préavis ni obligation envers l'acheteur.

Importée pour
Canadian Tire Corporation, Limited
Toronto, Canada M4P 2V8